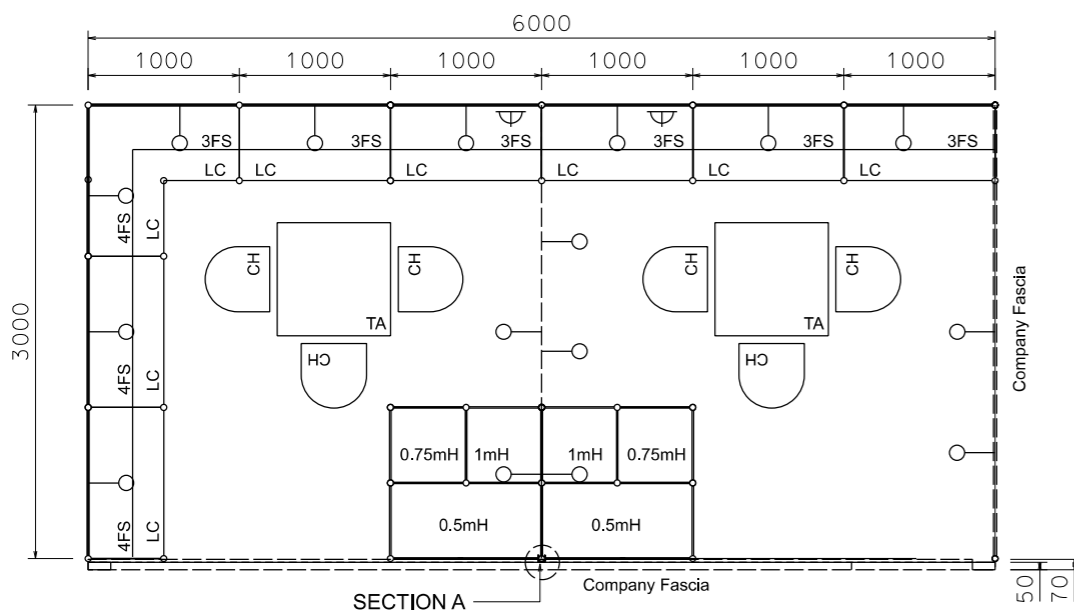
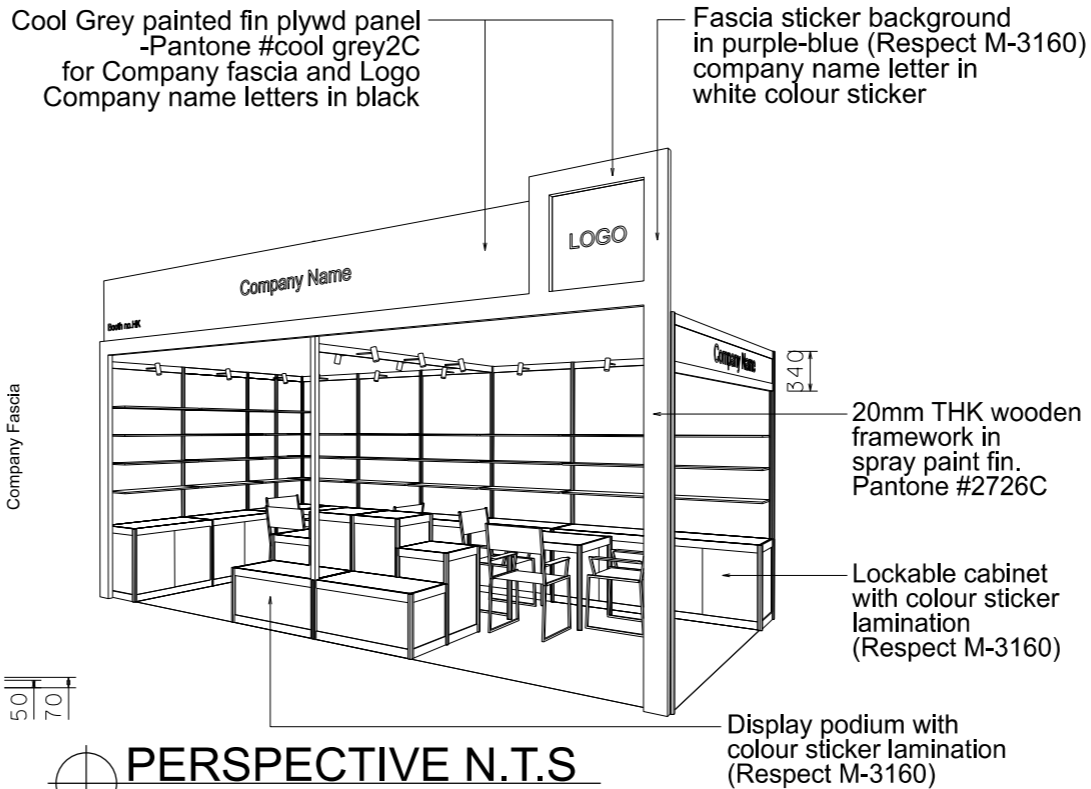


Premium Booth 6mW x 3mD Right Corner Booth

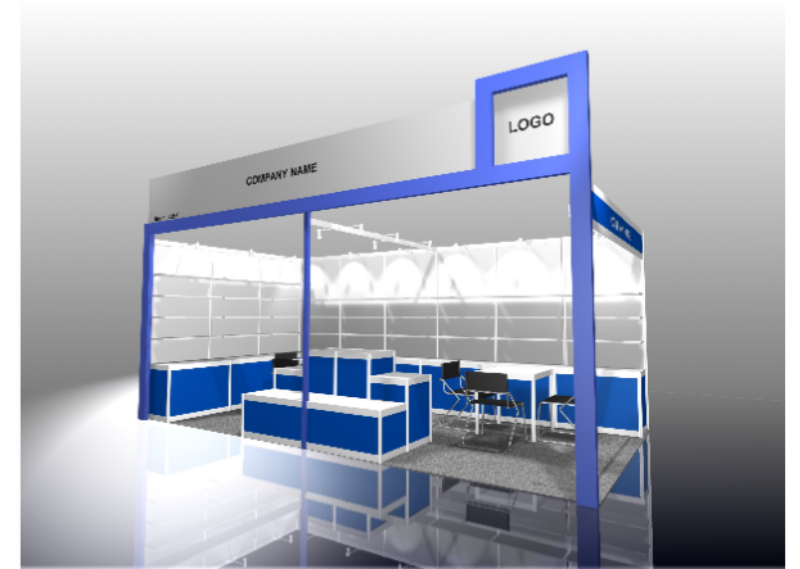
SD-B-18_R-Cnr _ 6mW x 3mD x 3.5mH



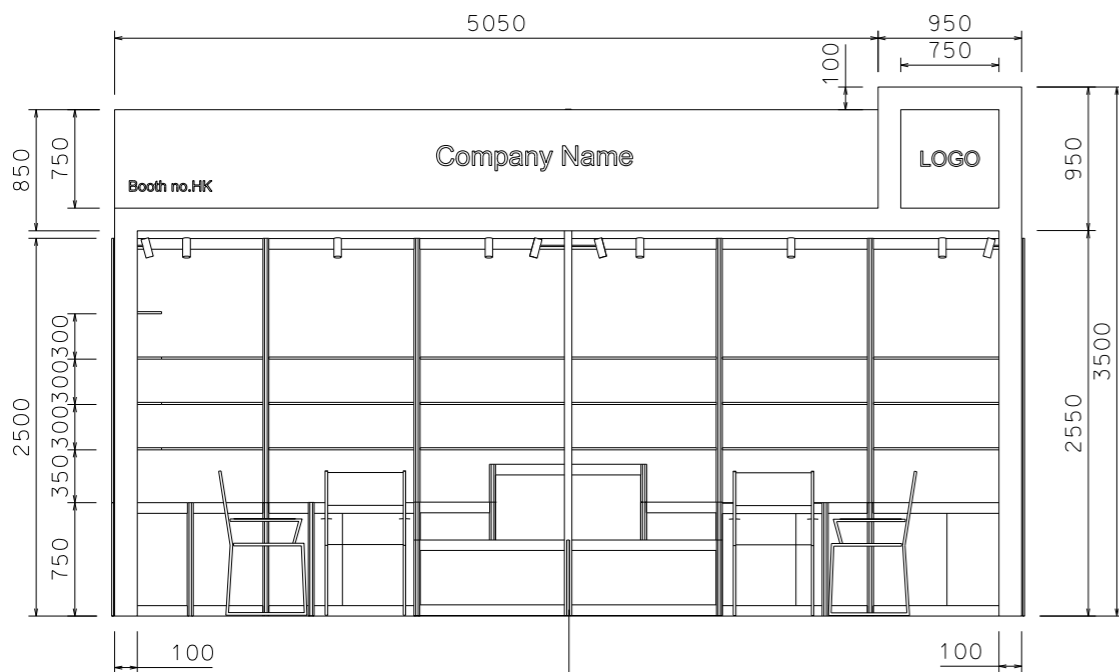
PLAN



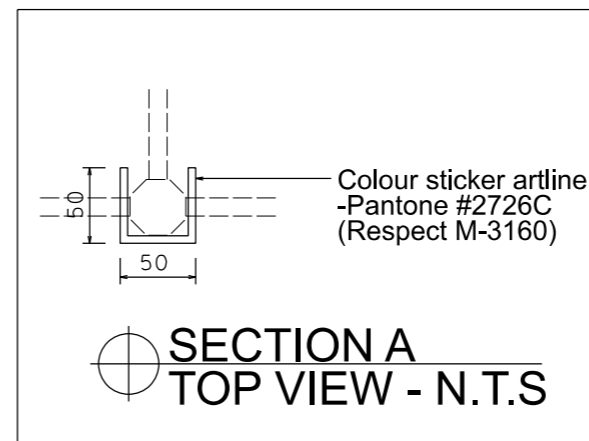
PERSPECTIVE N.T.S



COLOUR PERSPECTIVE N.T.S



FRONT ELEVATION



SECTION A TOP VIEW - N.T.S

BOOTH SPECIFICATION		QTY
	Lockable cabinet in purple-blue sticker lamination (1mL x 0.5mD x 0.75mH)	8.5
	Wooden shelf (flat) (1mL x 0.3mD)	30
	0.5mX 0.5mX 1mH display podium in blue sticker lamination	2
	0.5mX 0.5mX 0.75mH display podium in blue sticker lamination	2
	1mX 0.5mX 0.5mH display podium in blue sticker lamination	2
	Square meeting table (0.7m X0.7m x 0.75mH)	2
	Black leather chair	6
	Longarmed spotlight w/13 watt LED lamp (yellow)	16
	500w Square pin power socket	2
	Company logo	1

FILE PATH - L:\Local Fair Premium Booth 2011\SD\Layouts\13W_Lamp\SD-B-Layout\SD-B-2dLayout.dgn



NOTES	UNLESS OTHERWISE SPECIFIED ALL DIMENSIONS ARE IN MM.
.....
.....
.....

REVISION	09-02-2009 14-07-2009 20-01-2010 07-04-2011 29-11-2018
----------	--

DATE:	29-11-2018
SCALE:	1 : 50 (A3)
DRAWN BY:	..
CHECKED BY:

TITLE	Premium Booth SD-B-18 R-corner
-------	--------------------------------

PROJECT	PREMIUM BOOTH 6m x 3m
DATE:	XXXXXXXXXX

SHEET
SD-B05b