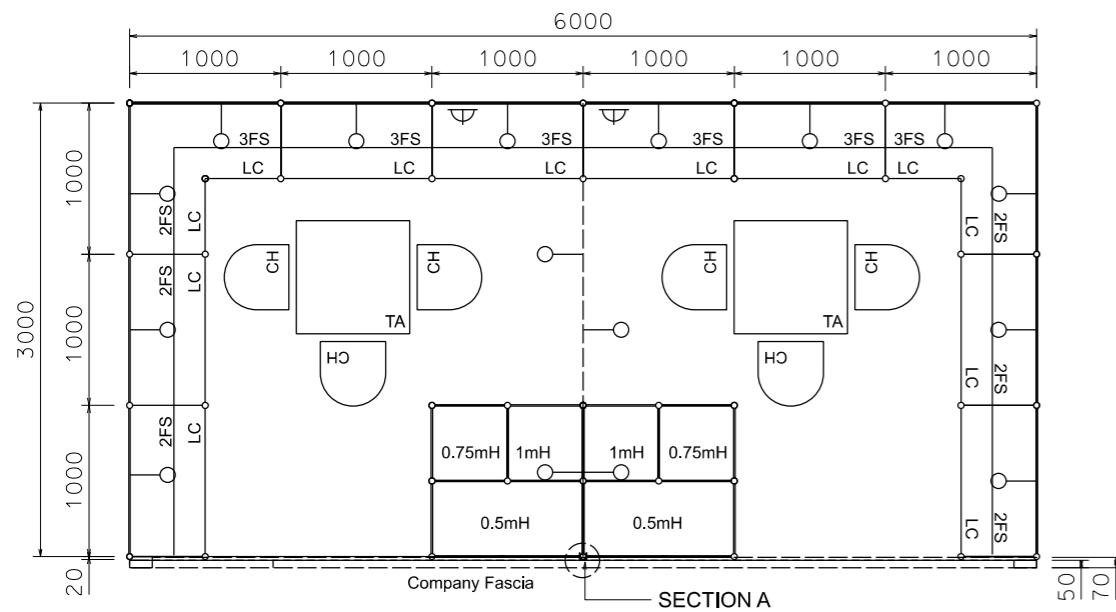
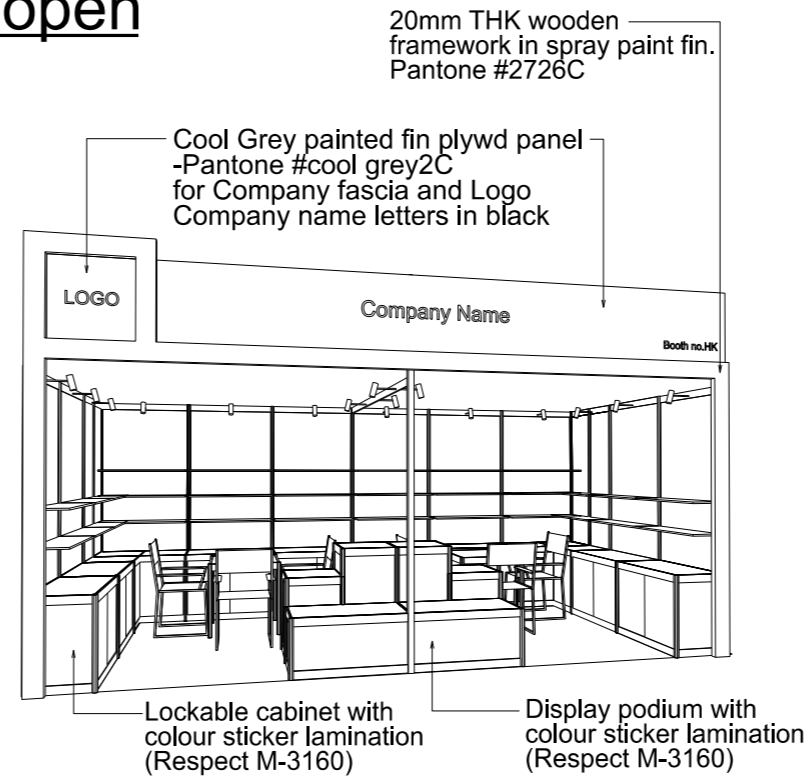


Premium Booth 6mW x 3mD One side open

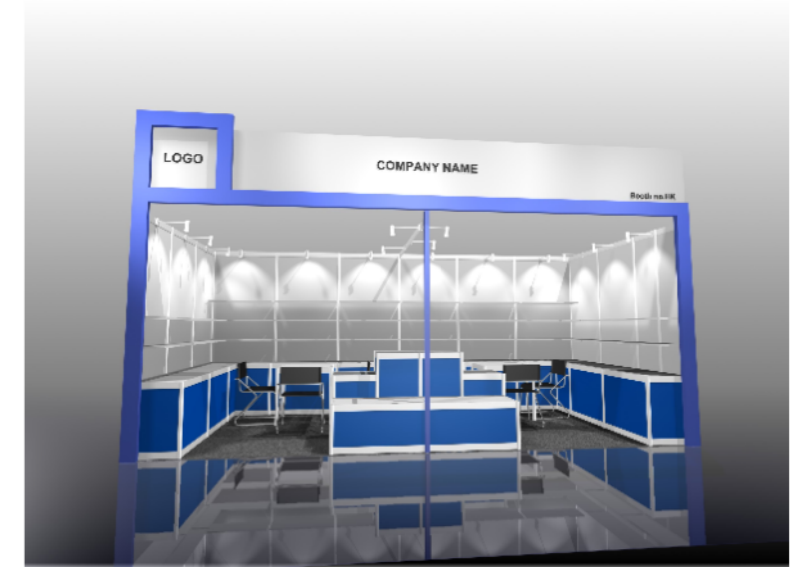
SD-B-18 _ 6mW x 3mD x 3.5mH



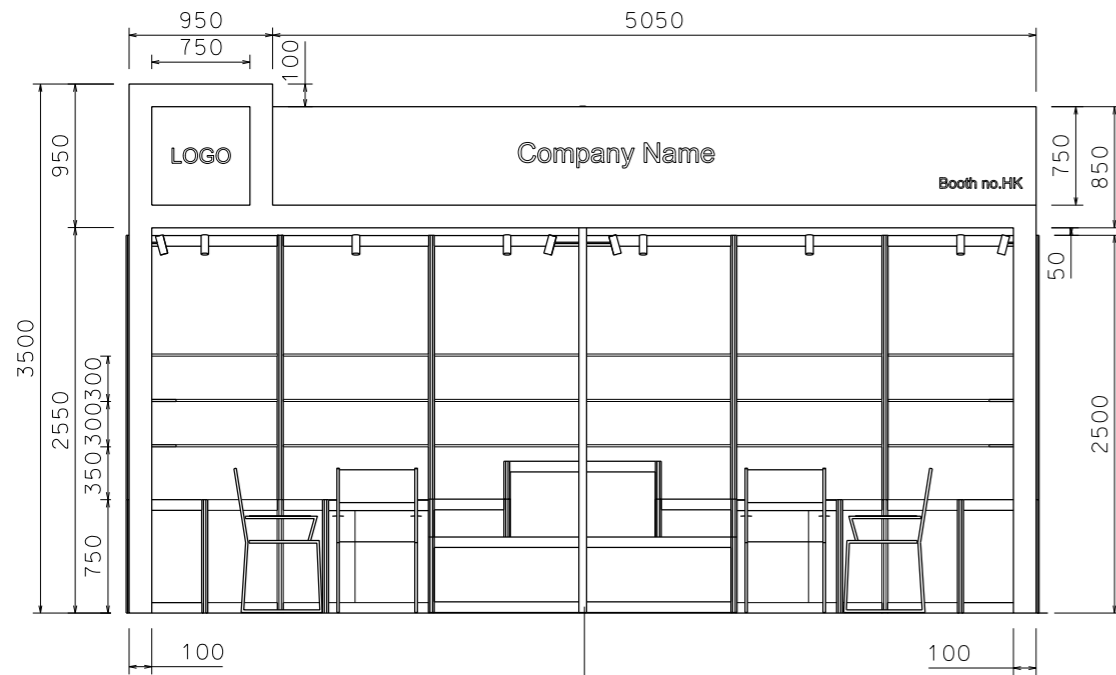
PLAN



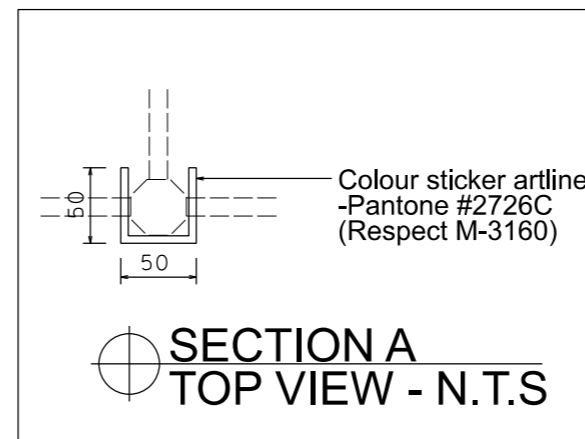
PERSPECTIVE N.T.S



COLOUR PERSPECTIVE N.T.S



FRONT ELEVATION



SECTION A
TOP VIEW - N.T.S

BOOTH SPECIFICATION		QTY
	Lockable cabinet in purple-blue sticker lamination (1mL x 0.5mD x 0.75mH)	11
	Wooden shelf (flat) (1mL x 0.3mD)	30
	0.5mX 0.5mX 1mH display podium in blue sticker lamination	2
	0.5mX 0.5mX 0.75mH display podium in blue sticker lamination	2
	0.5mX 1mX 0.5mH display podium in blue sticker lamination	2
	Square meeting table (0.7m X0.7m x 0.75mH)	2
	Black leather chair	6
	Longarmed spotlight w/13 watt LED lamp (yellow)	16
	500w Square pin power socket	2
	Company logo	1

FILE PATH - L:\Local Fair Premium Booth 2011\SD-Layouts\13W Lamp\SD-B layout\SD-B-2dLayout.dgn



NOTES UNLESS OTHERWISE SPECIFIED ALL DIMENSIONS ARE IN MM.

.....

REVISION
 09-02-2009
 11-05-2009
 14-07-2009
 20-01-2010
 07-04-2011
 29-11-2018

DATE: 29-11-2018
 SCALE: 1 : 50 (A3)
 DRAWN BY: ..
 CHECKED BY:

TITLE
 Premium Booth SD-B-18

PROJECT
 PREMIUM BOOTH
 6m x 3m
 DATE: XXXXXXXX

SHEET
 SD-B05