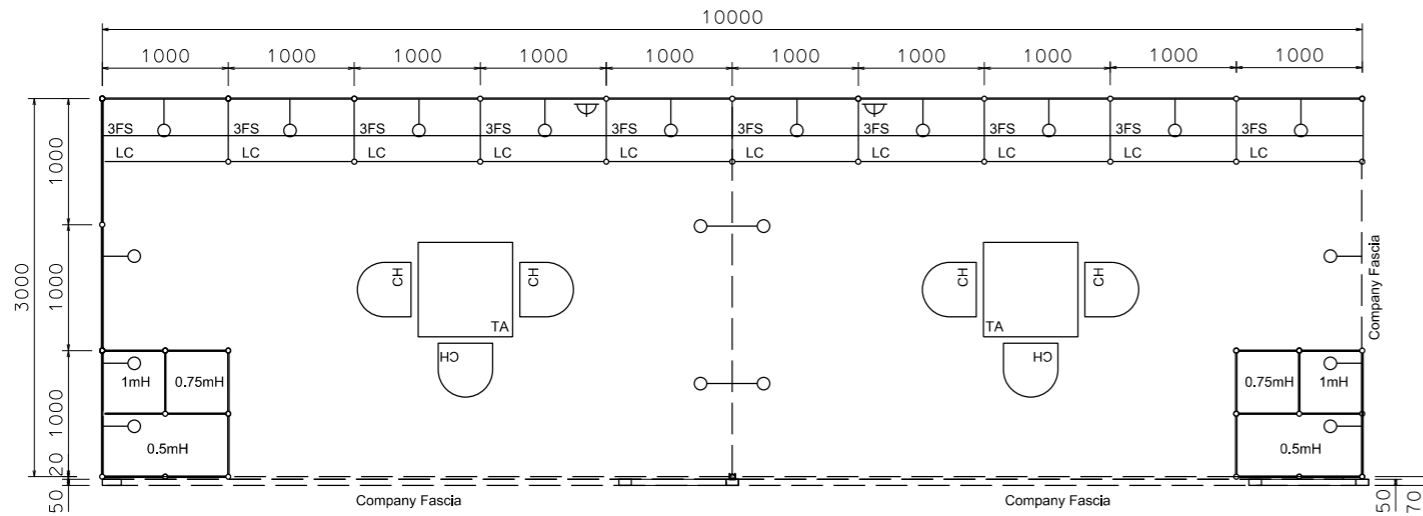
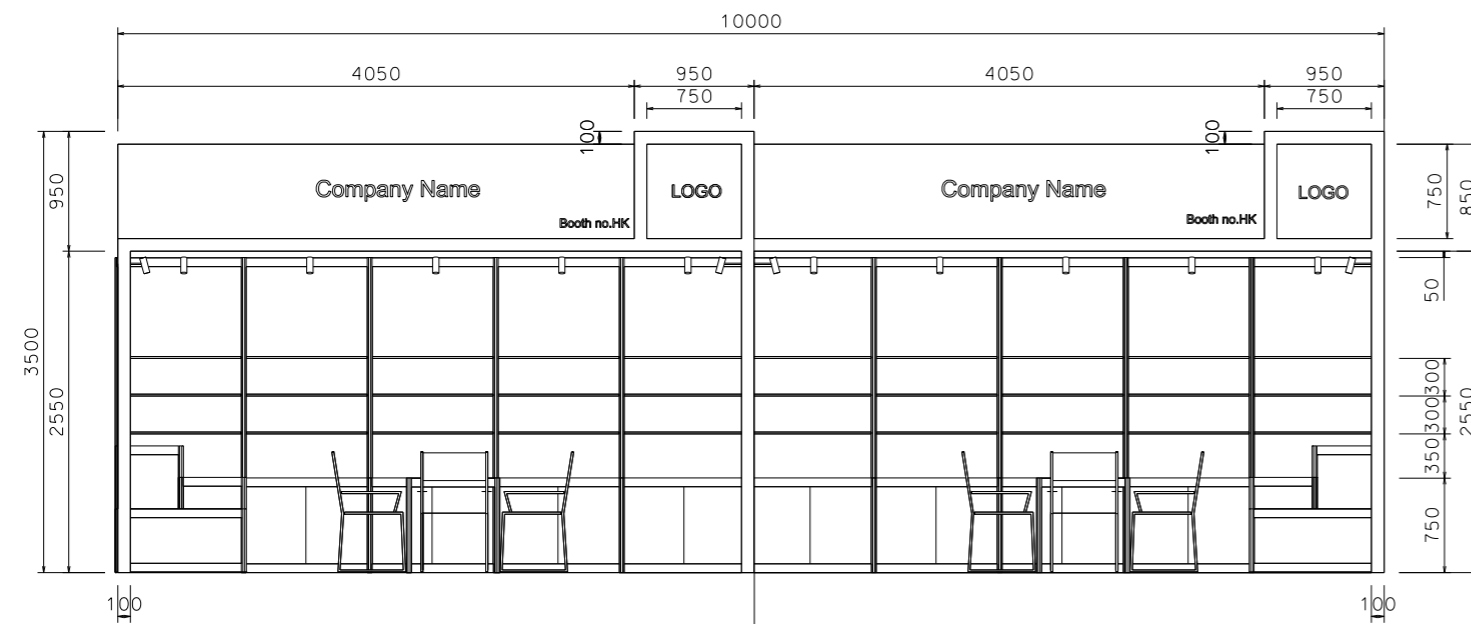


Premium Booth 10mW x 3mD Right Corner Booth

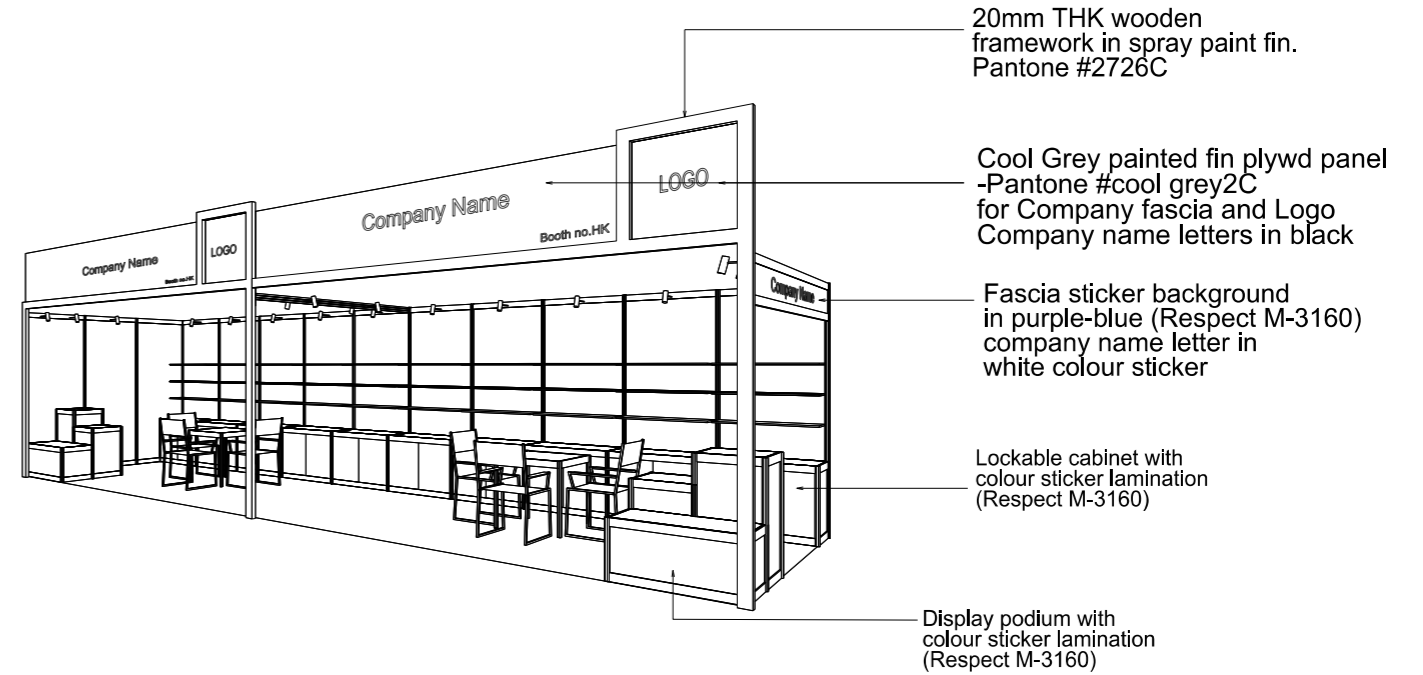
SD-B-30-RIGHT-CORNER
10mW x 3mD x 3.5mH



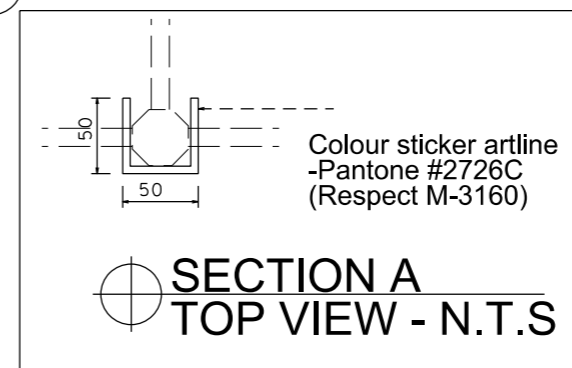
PLAN



FRONT ELEVATION



PERSPECTIVE N.T.S



BOOTH SPECIFICATION		QTY
	Lockable cabinet in purple-blue sticker lamination (1mL x 0.5mD x 0.75mH)	10
	Wooden shelf (flat) (1mL x 0.3mD)	30
	0.5mX 0.5mX 1mH display podium in blue sticker lamination	2
	0.5mX 0.5mX 0.75mH display podium in blue sticker lamination	2
	0.5mX 1mX 0.5mH display podium in blue sticker lamination	2
	Square meeting table (0.7m X0.7m x 0.75mH)	2
	Black leather chair	6
	Longarmed spotlight w/13 watt LED lamp (yellow)	20
	500w Square pin power socket	2
	Company logo	2

FILE PATH - I:\a-Booth drawing\Local Fair Premium Booth 2011\SD-Layouts\SD-B layout\SD-B-2d\layout.dgn



NOTES UNLESS OTHERWISE SPECIFIED ALL DIMENSIONS ARE IN MM.

.....
.....
.....

REVISION

DATE: 31/10/2023
SCALE: 1 : 60 (A3)
DRAWN BY: ..
CHECKED BY:

TITLE
Premium Booth SD-B-30 Rcnr

PROJECT
PREMIUM BOOTH 10m x 3m Right Corner
DATE: XXXXXXXX

SHEET

SD-B130