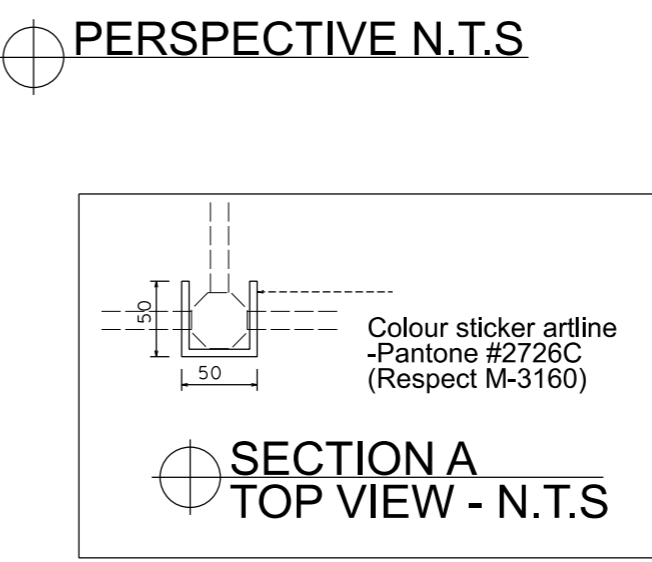
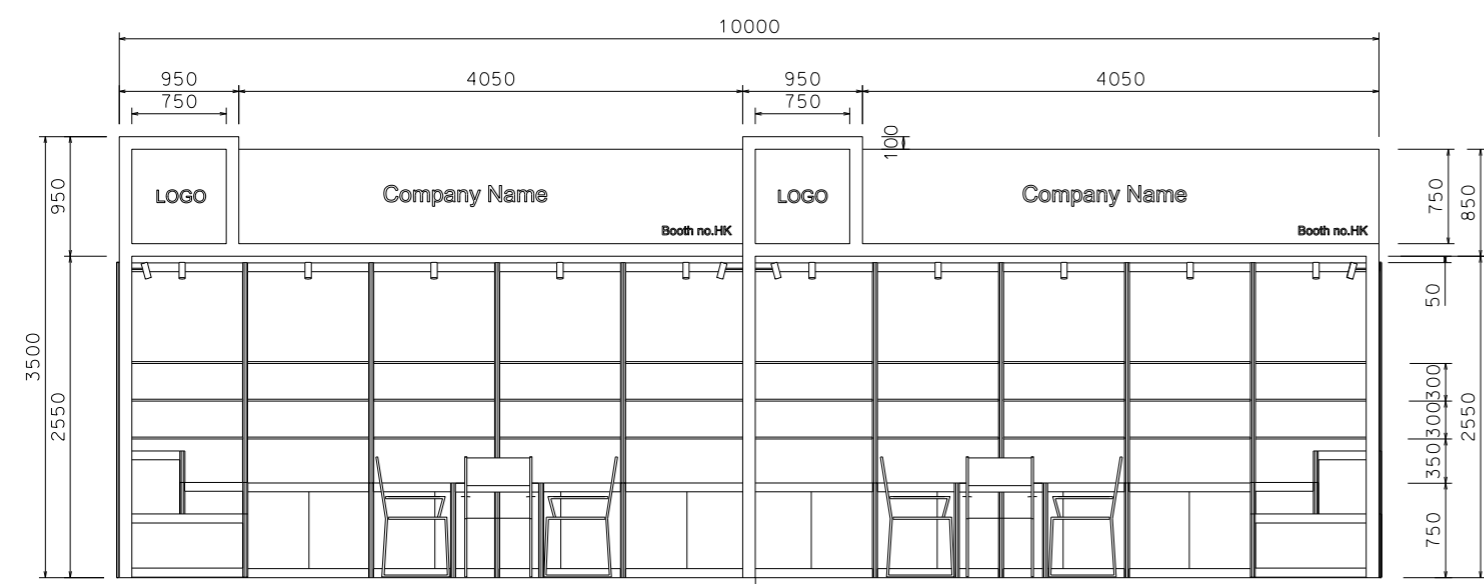
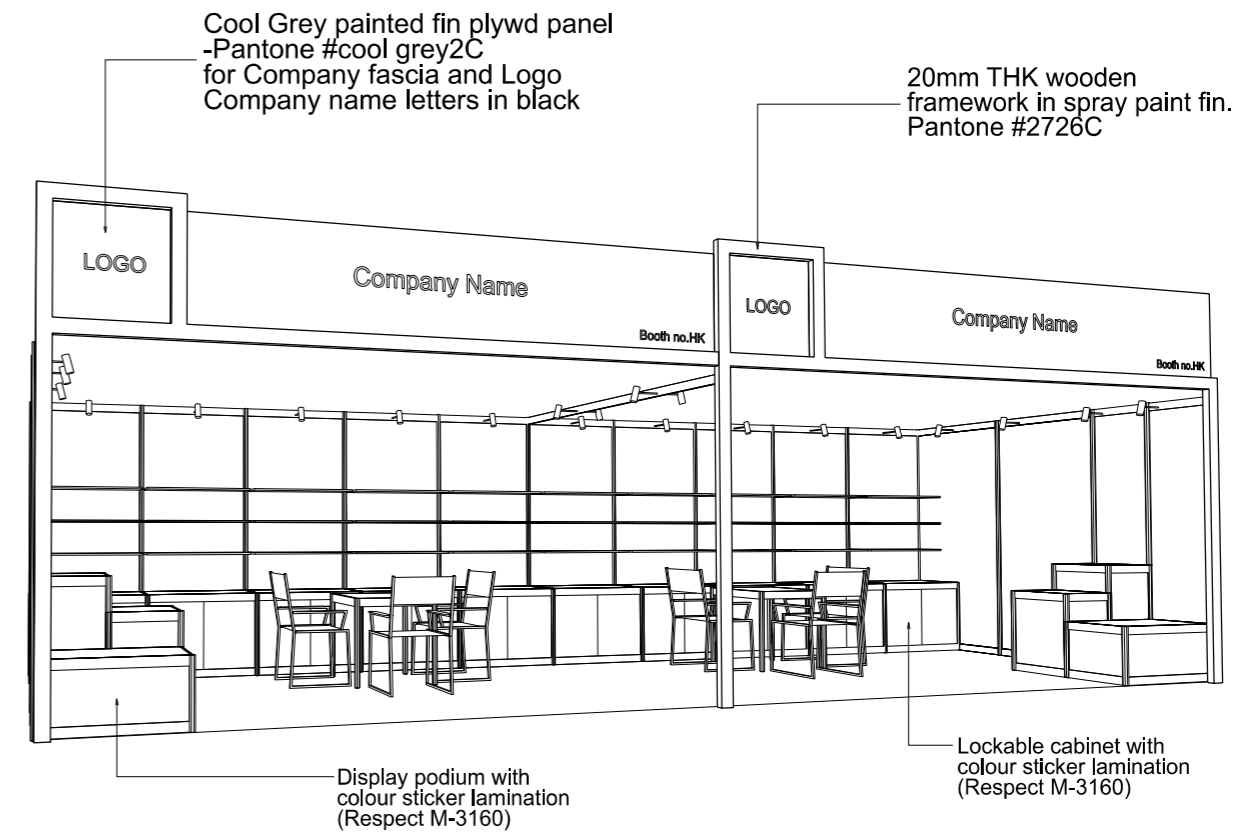
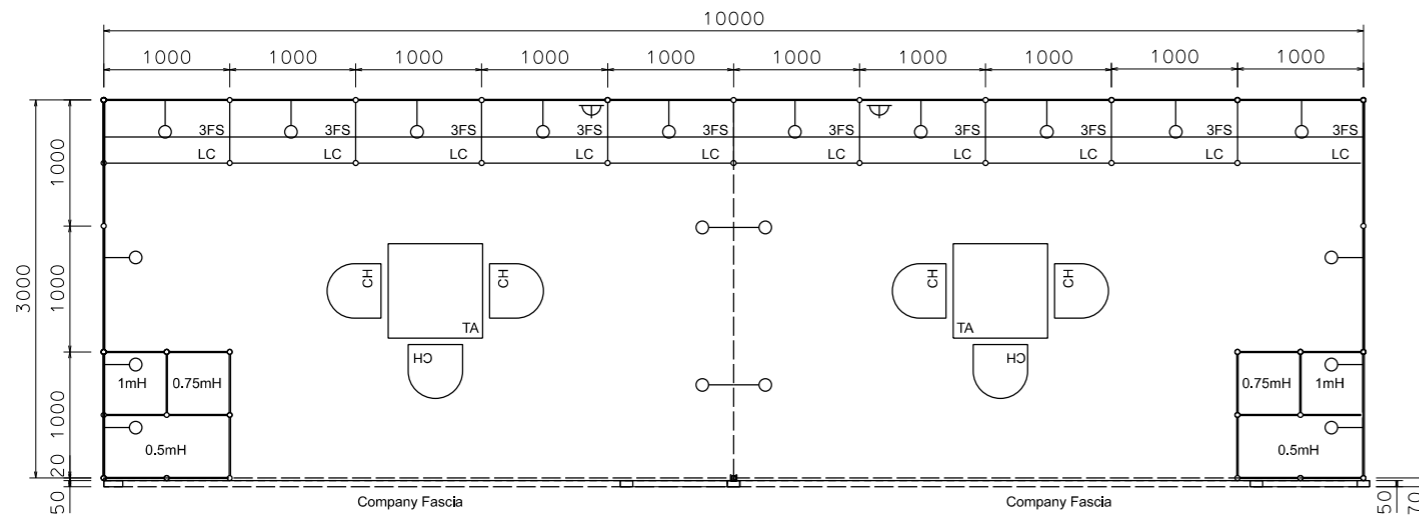


# Premium Booth 10mW x 3mD Non- Corner Booth

SD-B-30  
10mW x 3mD x 3.5mH



BOOTH SPECIFICATION		QTY
	Lockable cabinet in purple-blue sticker lamination (1mL x 0.5mD x 0.75mH)	10
	Wooden shelf (flat) (1mL x 0.3mD)	30
	0.5mX 0.5mX 1mH display podium in blue sticker lamination	2
	0.5mX 0.5mX 0.75mH display podium in blue sticker lamination	2
	0.5mX 1mX 0.5mH display podium in blue sticker lamination	2
	Square meeting table (0.7m X0.7m x 0.75mH)	2
	Black leather chair	6
	Longarmed spotlight w/13 watt LED lamp (yellow)	20
	500w Square pin power socket	2
	Company logo	2

FILE PATH - L:\Local Fair Premium Booth 2011\SD-Layouts\13W Lamp\SD-B layout\SD-B-2dLayout.dgn

<p>香港貿發局</p>	<p>NOTES UNLESS OTHERWISE SPECIFIED ALL DIMENSIONS ARE IN MM.</p> <p>.....</p> <p>.....</p> <p>.....</p>	<p>REVISION</p> <p>20-01-2010 26-09-2011 01/12/2011 24/10/2013 29/11/2018</p>	DATE:	29/11/2018	<p>TITLE</p> <p>Premium Booth SD-B-30</p>	<p>PROJECT</p> <p>PREMIUM BOOTH 10m x 3m</p>	<p>SHEET</p> <p>SD-B13A</p>
			SCALE:	1 : 60 (A3)			
			CHECKED BY:	.....			