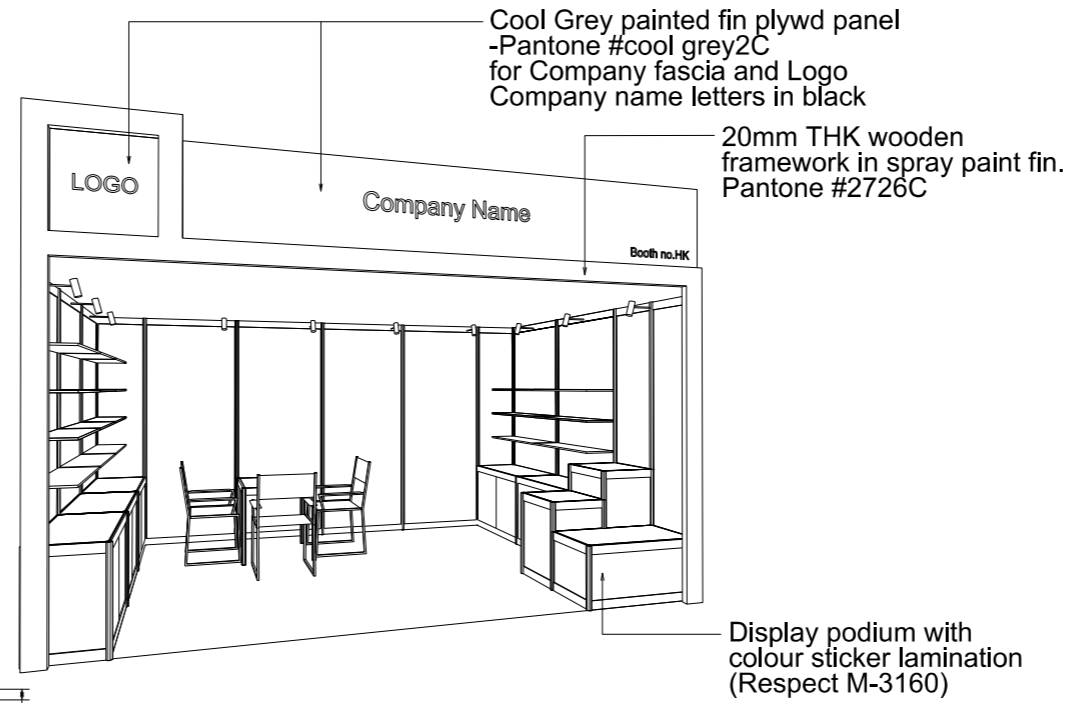
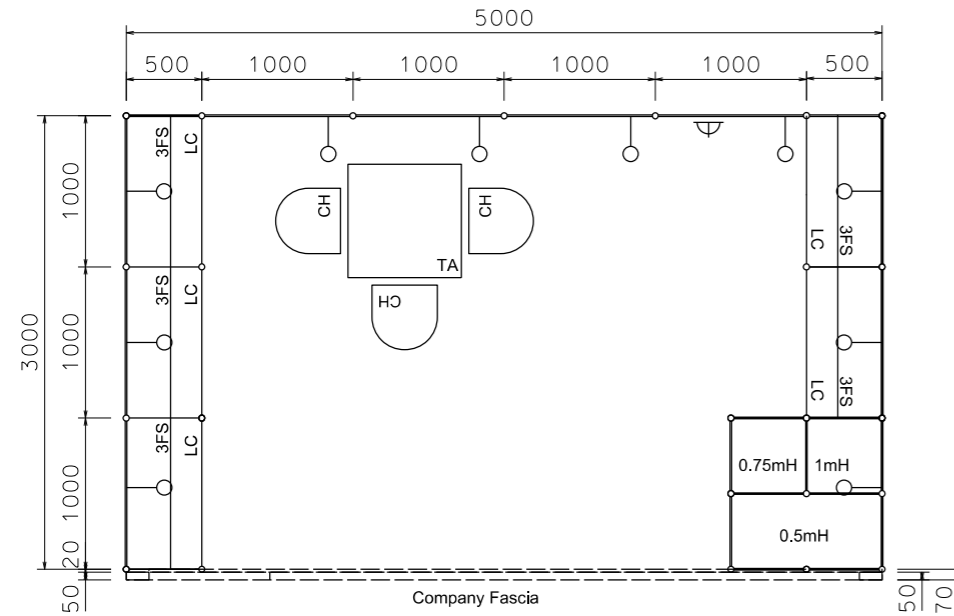


# Premium Booth 5mW x 3mD One side open

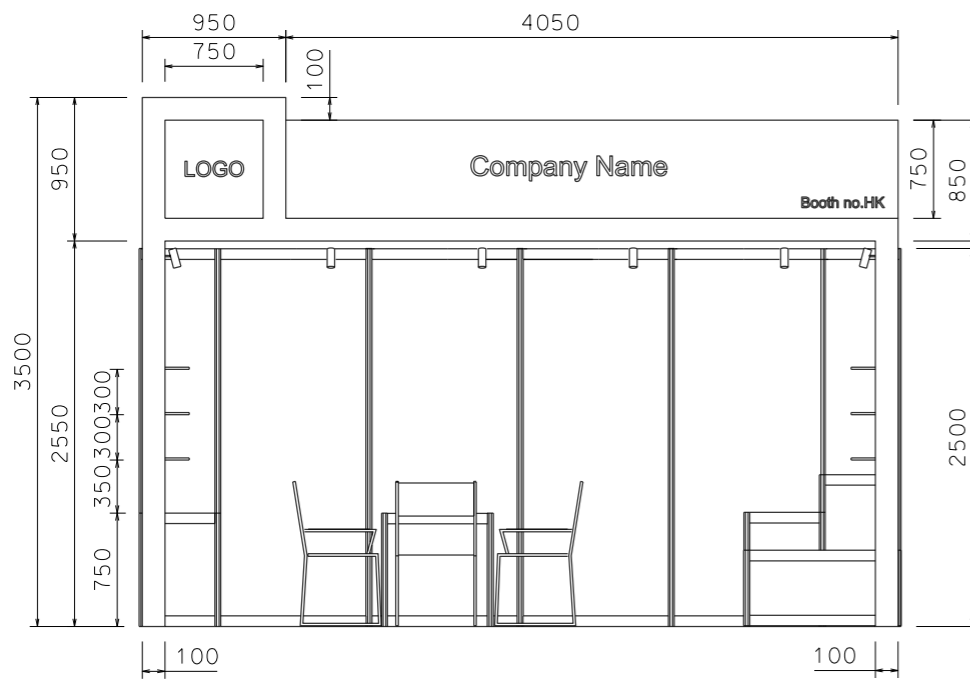
SD-B-W15

5mW x 3mD x 3.5mH



PLAN

PERSPECTIVE N.T.S



FRONT ELEVATION

COLOUR PERSPECTIVE N.T.S

BOOTH SPECIFICATION		QTY
	Lockable cabinet in purple-blue sticker lamination (1mL x 0.5mD x 0.75mH)	5
	Wooden shelf (flat) (1mL x 0.3mD)	15
	0.5mX 0.5mX 1mH display podium in blue sticker lamination	1
	0.5mX 0.5mX 0.75mH display podium in blue sticker lamination	1
	1mX 0.5mX 0.5mH display podium in blue sticker lamination	1
	Square meeting table (0.7m X0.7m x 0.75mH)	1
	Black leather chair	3
	Longarmed spotlight w/13 watt LED lamp (yellow)	10
	500w Square pin power socket	1
	Company logo	1

FILE PATH - L:\Local Fair Premium Booth 2011\SD-Layouts\SD-B layout\SD-B-2dLayout.dgn

	<b>NOTES</b> UNLESS OTHERWISE SPECIFIED ALL DIMENSIONS ARE IN MM. ..... ..... .....	<b>REVISION</b> 09-02-2009 . 14-07-2009 . 20-01-2010 . 22-01-2010 . 29-11-2018	<b>DATE:</b> 29-11-2018	<b>TITLE</b> Premium Booth SD-B-W15	<b>PROJECT</b> PREMIUM BOOTH 5m x 3m DATE: XXXXXXXX	<b>SHEET</b> SD-B04
			<b>SCALE:</b> 1 : 50 (A3)			

# Premium Booth 5mW x 3mD Left side Corner booth

SD-B-W15-L\_Cnr  
5mW x 3mD x 3.5mH

Fascia sticker background in purple-blue (Respect M-3160)  
company name letter in white colour sticker

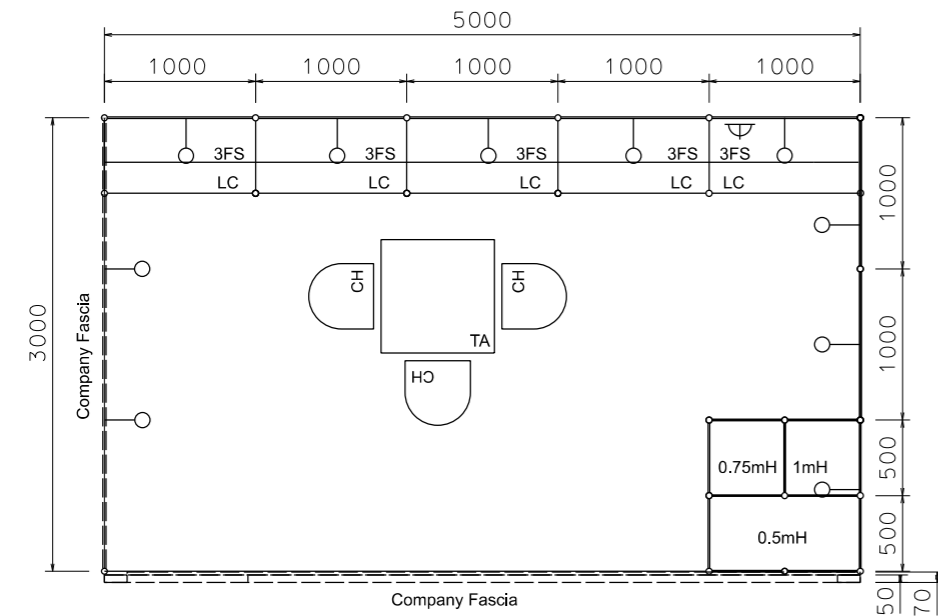
Cool Grey painted fin plywd panel  
-Pantone #cool grey2C  
for Company fascia and Logo  
ompany name letters in black

20mm THK wooden framework in spray paint fin.  
Pantone #2726C

Display podium with colour sticker lamination  
(Respect M-3160)

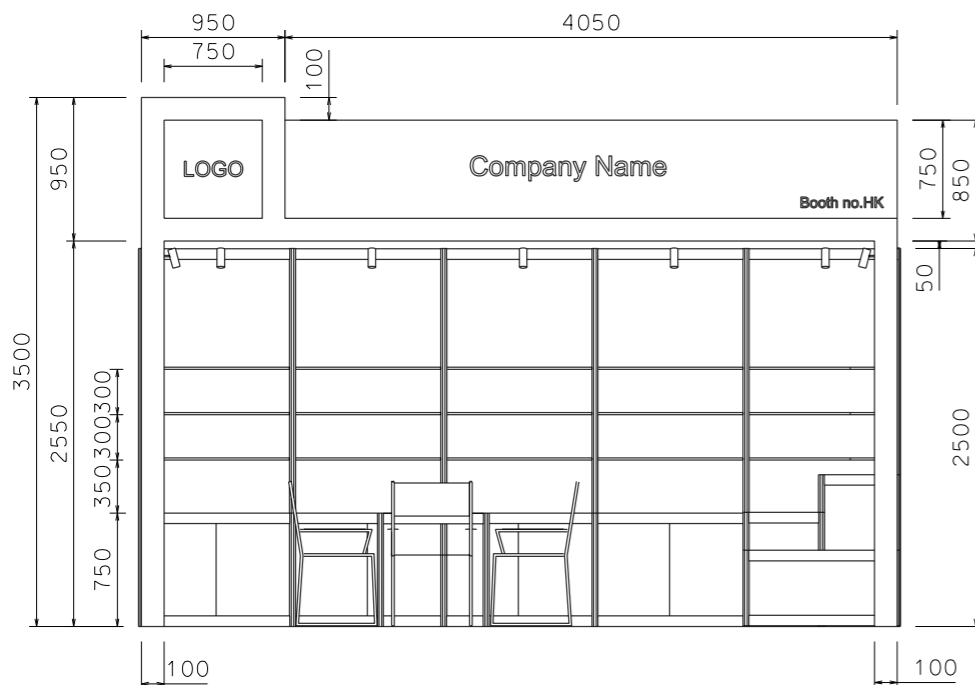


COLOUR PERSPECTIVE N.T.S



PLAN

PERSPECTIVE N.T.S



FRONT ELEVATION

BOOTH SPECIFICATION		QTY
	Lockable cabinet in purple-blue sticker lamination (1mL x 0.5mD x 0.75mH)	5
	Wooden shelf (flat) (1mL x 0.3mD)	15
	0.5mX 0.5mX 1mH display podium in blue sticker lamination	1
	0.5mX 0.5mX 0.75mH display podium in blue sticker lamination	1
	1mX 0.5mX 0.5mH display podium in blue sticker lamination	1
	Square meeting table (0.7m X 0.7m x 0.75mH)	1
	Black leather chair	3
	Longarmed spotlight w/13 watt LED lamp (yellow)	10
	500w Square pin power socket	1
	Company logo	1

FILE PATH - L:\Local Fair Premium Booth 2011\SD\Layouts\13W\_Lamp\SD-B layout\SD-B-2d\Layout.dgn



NOTES	
UNLESS OTHERWISE SPECIFIED ALL DIMENSIONS ARE IN MM.	
.....	.....
.....	.....
.....	.....

REVISION	
09-02-2009	
14-07-2009	
22-07-2009	
20-01-2010	
29-11-2018	

DATE:	29-11-2018
SCALE:	1 : 50 (A3)
DRAWN BY:	..
CHECKED BY:	.....

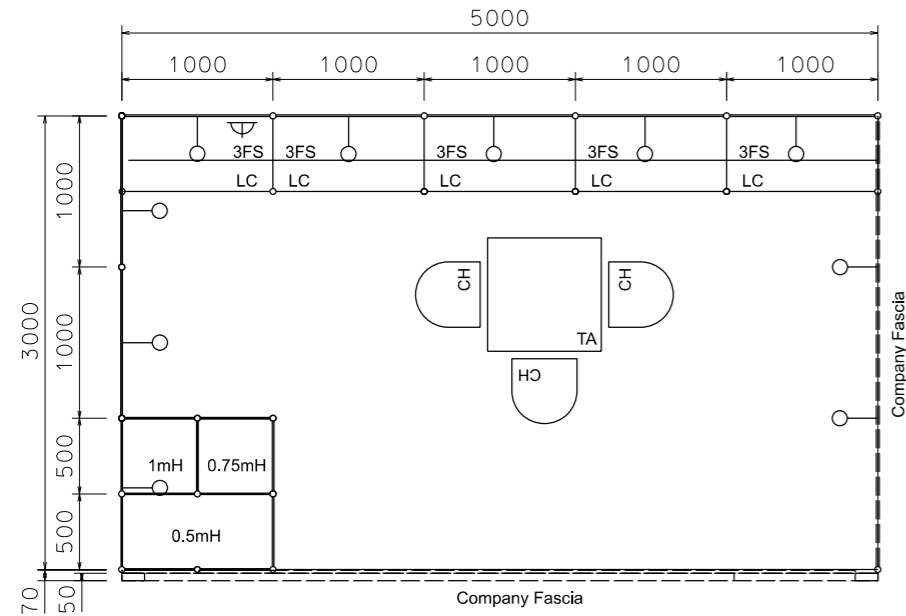
TITLE
Premium Booth SD-B-15W L- Corner

PROJECT
PREMIUM BOOTH 5m x 3m Corner
DATE: XXXXXXXX

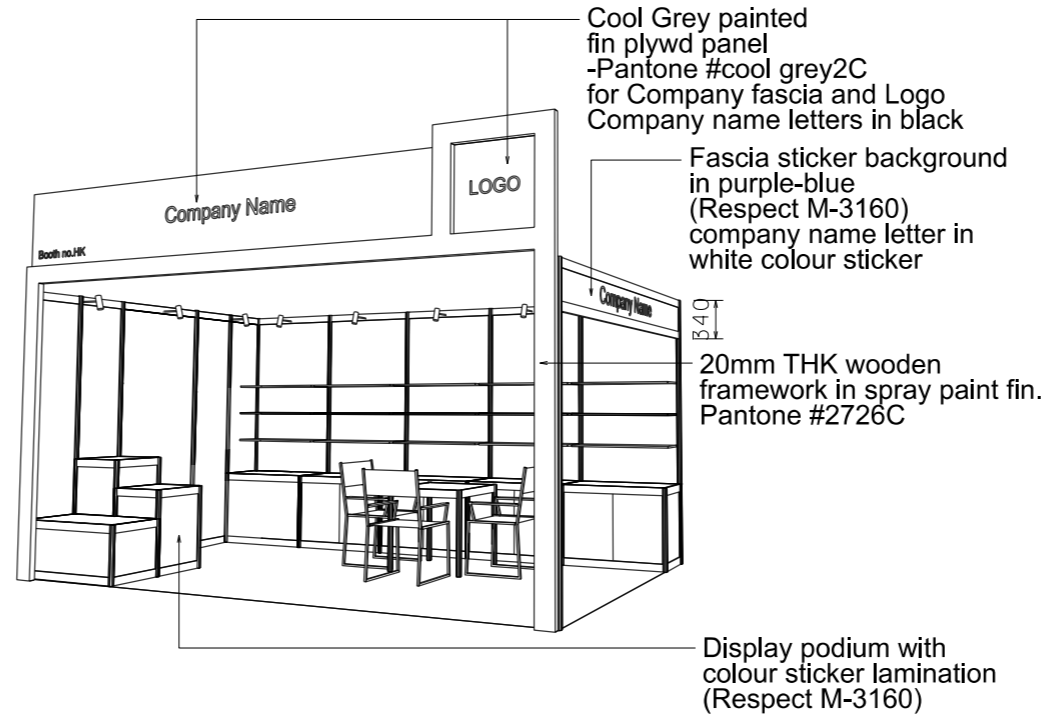
SHEET
SD-B04a

# Premium Booth 5mW x 3mD Right side Corner booth

SD-B-W15-R\_Cnr  
5mW x 3mD x 3.5mH



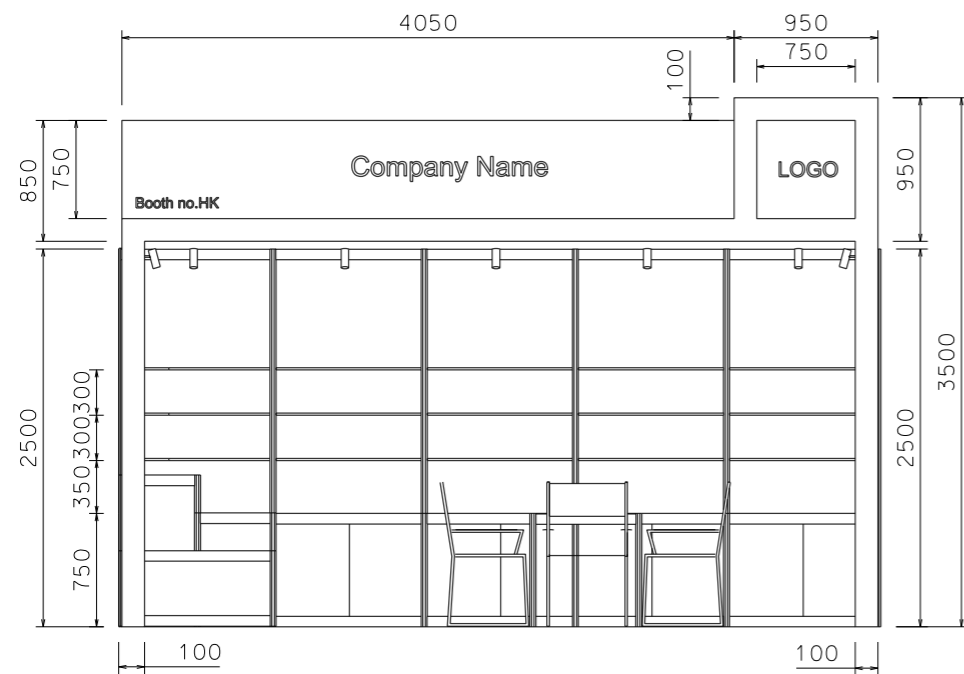
PLAN



PERSPECTIVE N.T.S



COLOUR PERSPECTIVE N.T.S



FRONT ELEVATION

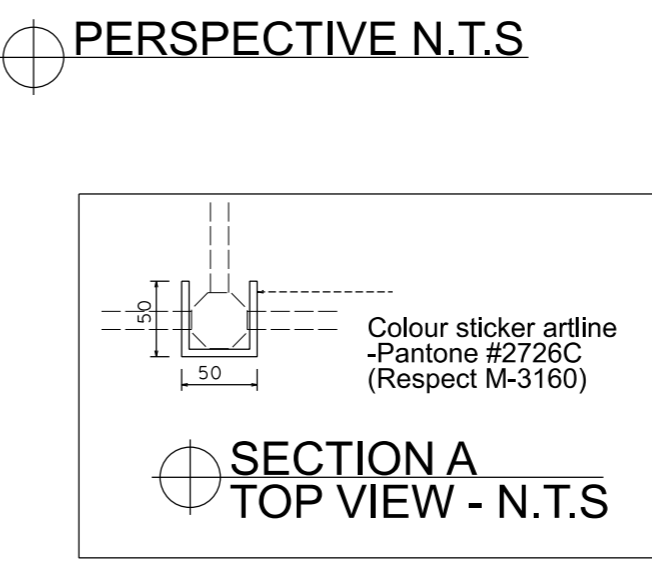
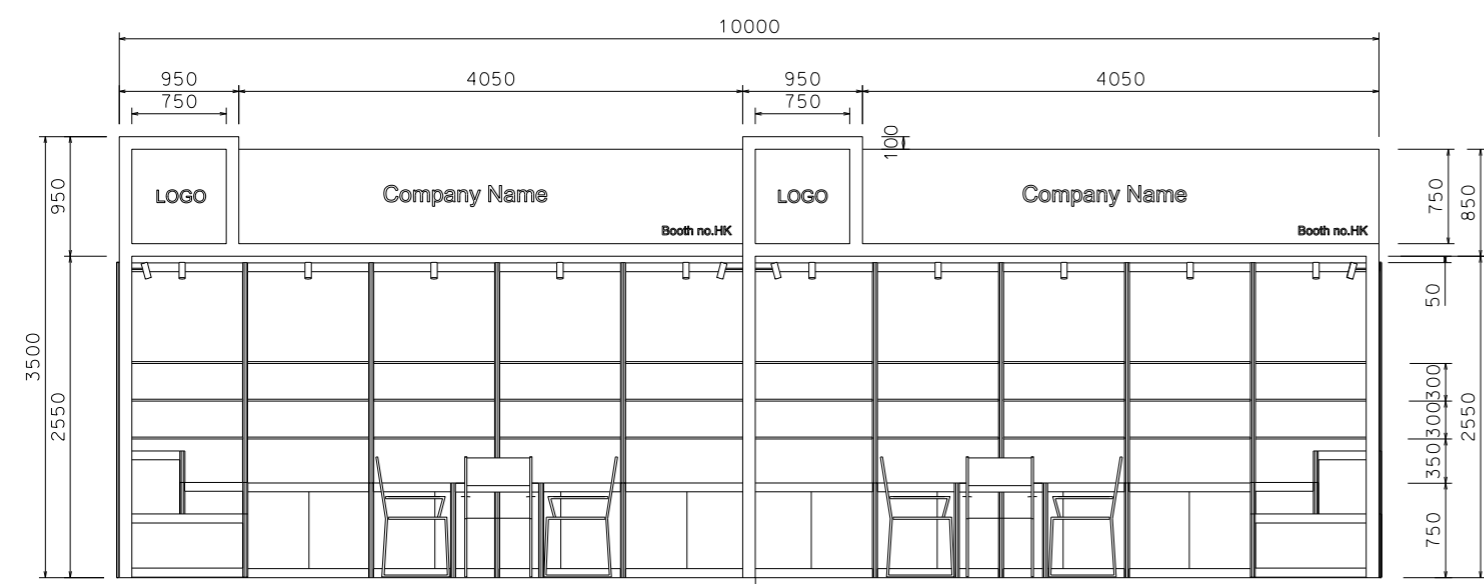
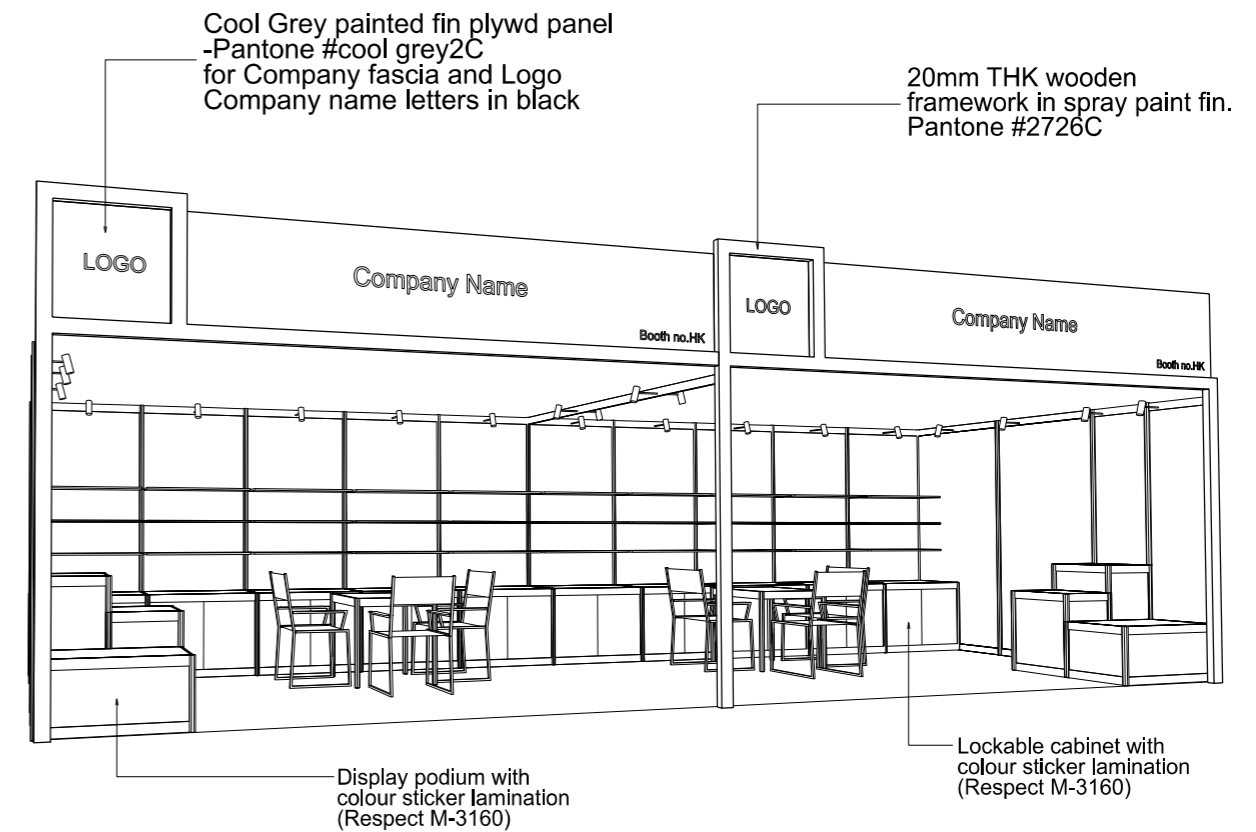
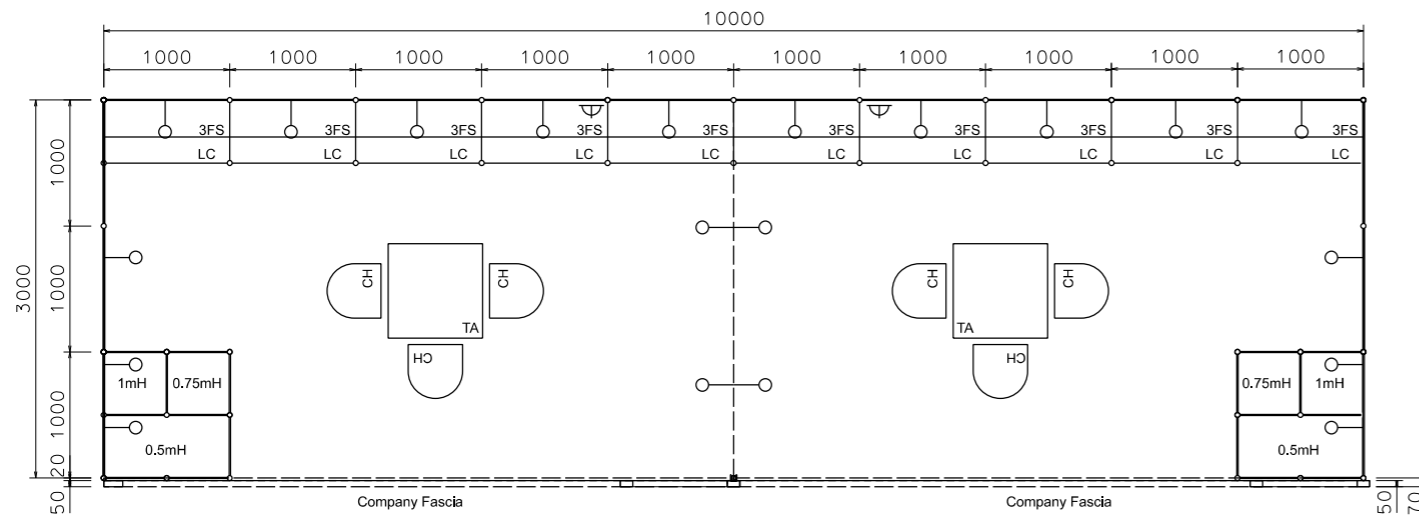
BOOTH SPECIFICATION		QTY
	Lockable cabinet in purple-blue sticker lamination (1mL x 0.5mD x 0.75mH)	5
	Wooden shelf (flat) (1mL x 0.3mD)	15
	0.5mX 0.5mX 1mH display podium in blue sticker lamination	1
	0.5mX 0.5mX 0.75mH display podium in blue sticker lamination	1
	1mX 0.5mX 0.5mH display podium in blue sticker lamination	1
	Square meeting table (0.7m X 0.7m x 0.75mH)	1
	Black leather chair	3
	Longarmed spotlight w/13 watt LED lamp (yellow)	10
	500w Square pin power socket	1
	Company logo	1

FILE PATH - L:\Local Fair Premium Booth 2011\SD-Layouts\13W\_Lamp\SD-B layout\SD-B-2dLayout.dgn

	NOTES	UNLESS OTHERWISE SPECIFIED ALL DIMENSIONS ARE IN MM.	REVISION	DATE:	29-11-2018	TITLE	PROJECT	SHEET
	.....	.....	09-02-2009 14-07-2009 22-07-2009 20-01-2010 29-11-2018	SCALE:	1 : 50 (A3)			
.....	.....	.....	DRAWN BY:	..	.....	DATE: XXXXXXXX		
.....	.....	.....	CHECKED BY:	.....	.....			

# Premium Booth 10mW x 3mD Non- Corner Booth

SD-B-30  
10mW x 3mD x 3.5mH



BOOTH SPECIFICATION		QTY
	Lockable cabinet in purple-blue sticker lamination (1mL x 0.5mD x 0.75mH)	10
	Wooden shelf (flat) (1mL x 0.3mD)	30
	0.5mX 0.5mX 1mH display podium in blue sticker lamination	2
	0.5mX 0.5mX 0.75mH display podium in blue sticker lamination	2
	0.5mX 1mX 0.5mH display podium in blue sticker lamination	2
	Square meeting table (0.7m X0.7m x 0.75mH)	2
	Black leather chair	6
	Longarmed spotlight w/13 watt LED lamp (yellow)	20
	500w Square pin power socket	2
	Company logo	2

FILE PATH - L:\Local Fair Premium Booth 2011\SD-Layouts\13W Lamp\SD-B layout\SD-B-2dLayout.dgn



NOTES UNLESS OTHERWISE SPECIFIED ALL DIMENSIONS ARE IN MM.

.....

.....

.....

REVISION

20-01-2010  
26-09-2011  
01/12/2011  
24/10/2013  
29/11/2018

DATE: 29/11/2018

SCALE: 1 : 60 (A3)

DRAWN BY: ..

CHECKED BY: .....

TITLE

Premium Booth SD-B-30

PROJECT

PREMIUM BOOTH 10m x 3m

DATE: XXXXXXXX

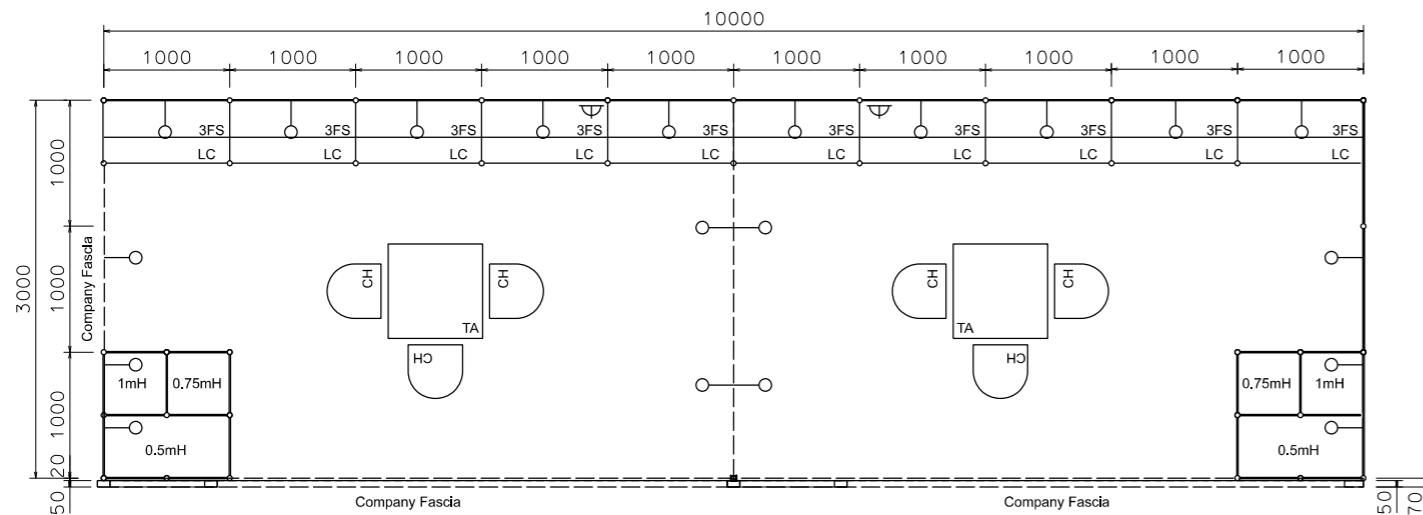
SHEET

SD-B13A

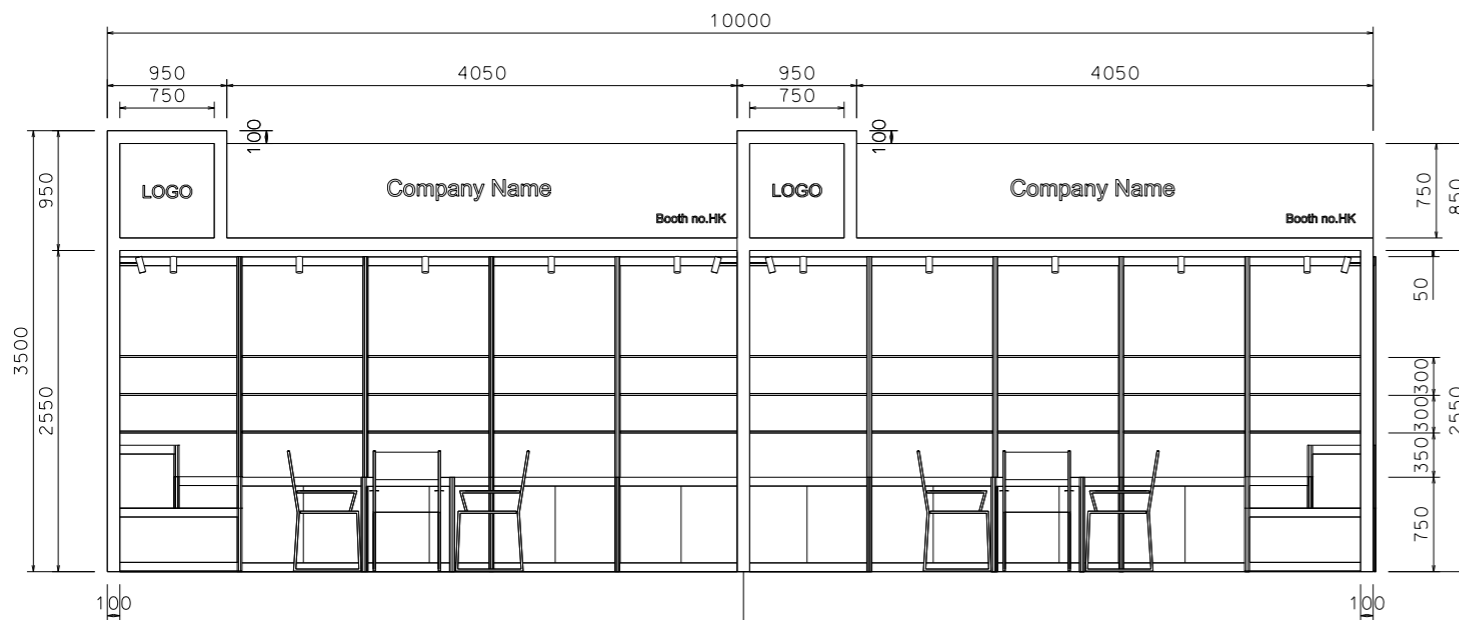


# Premium Booth 10mW x 3mD Left Corner Booth

SD-B-30 LEFT CORNER  
10mW x 3mD x 3.5mH



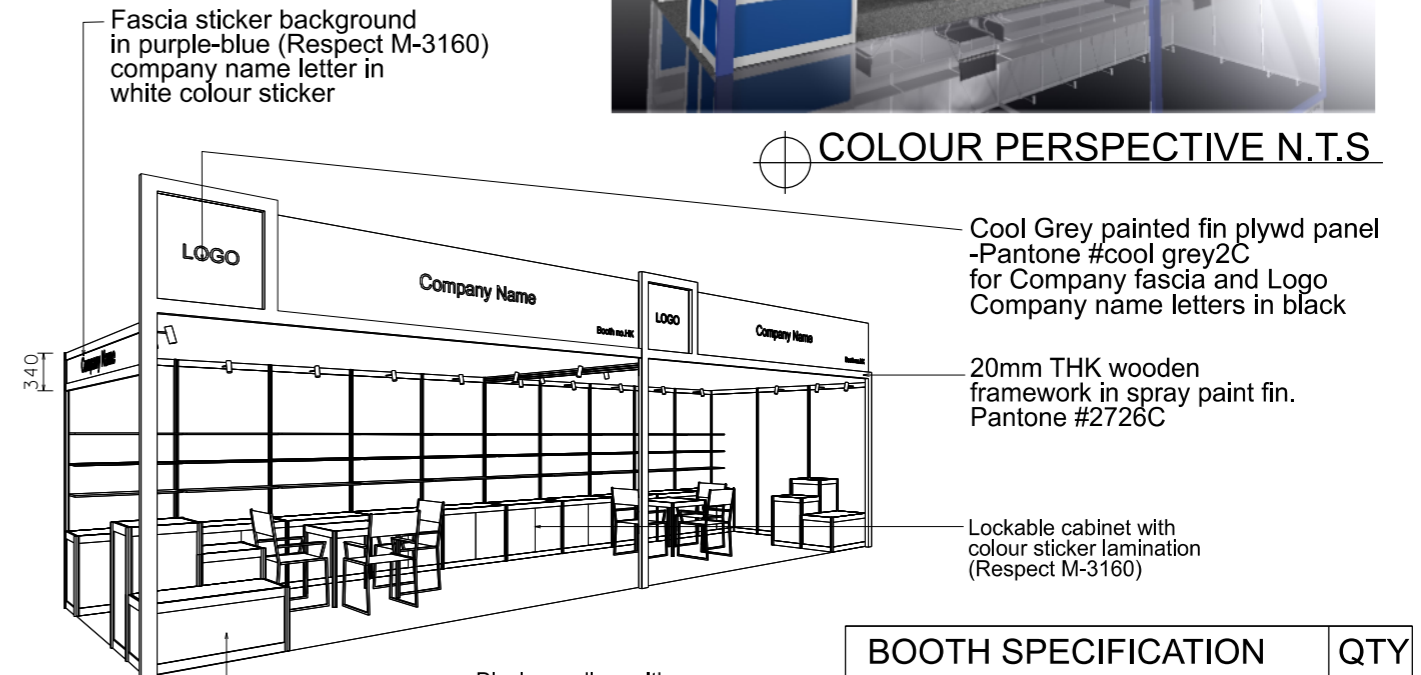
PLAN



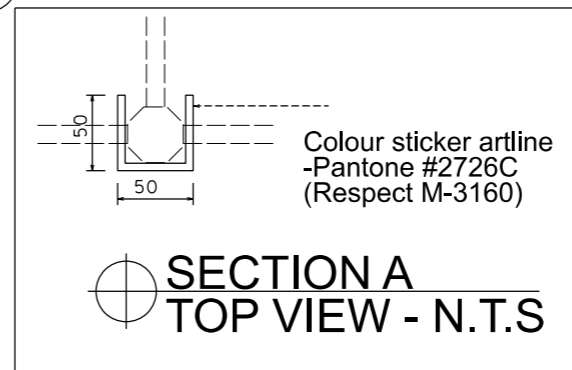
FRONT ELEVATION



COLOUR PERSPECTIVE N.T.S.



PERSPECTIVE N.T.S.



BOOTH SPECIFICATION		QTY
	Lockable cabinet in purple-blue sticker lamination (1mL x 0.5mD x 0.75mH)	10
	Wooden shelf (flat) (1mL x 0.3mD)	30
	0.5mX 0.5mX 1mH display podium in blue sticker lamination	2
	0.5mX 0.5mX 0.75mH display podium in blue sticker lamination	2
	0.5mX 1mX 0.5mH display podium in blue sticker lamination	2
	Square meeting table (0.7m X 0.7m x 0.75mH)	2
	Black leather chair	6
	Longarmed spotlight w/13 watt LED lamp (yellow)	20
	500w Square pin power socket	2
	Company logo	2

FILE PATH - L:\Local Fair Premium Booth 2011\SD-Layouts\13W Lamp\SD-B layout\SD-B-2dLayout.dgn



NOTES UNLESS OTHERWISE SPECIFIED ALL DIMENSIONS ARE IN MM.

.....  
.....  
.....

REVISION  
20-01-2010  
26-09-2011  
07/12/2011  
24/10/2013  
29/11/2018

DATE: 29/11/2018  
SCALE: 1 : 60 (A3)  
DRAWN BY: ..  
CHECKED BY: .....

TITLE  
Premium Booth SD-B-30 Lcnr

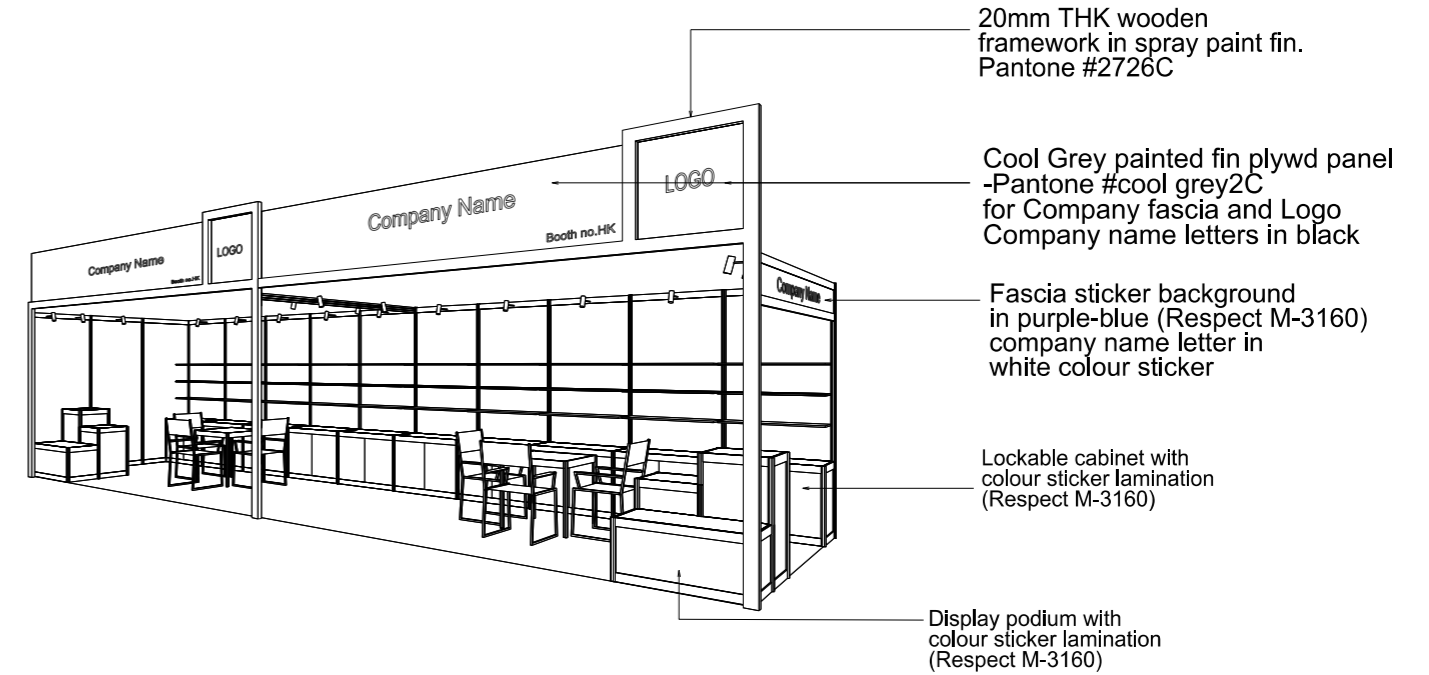
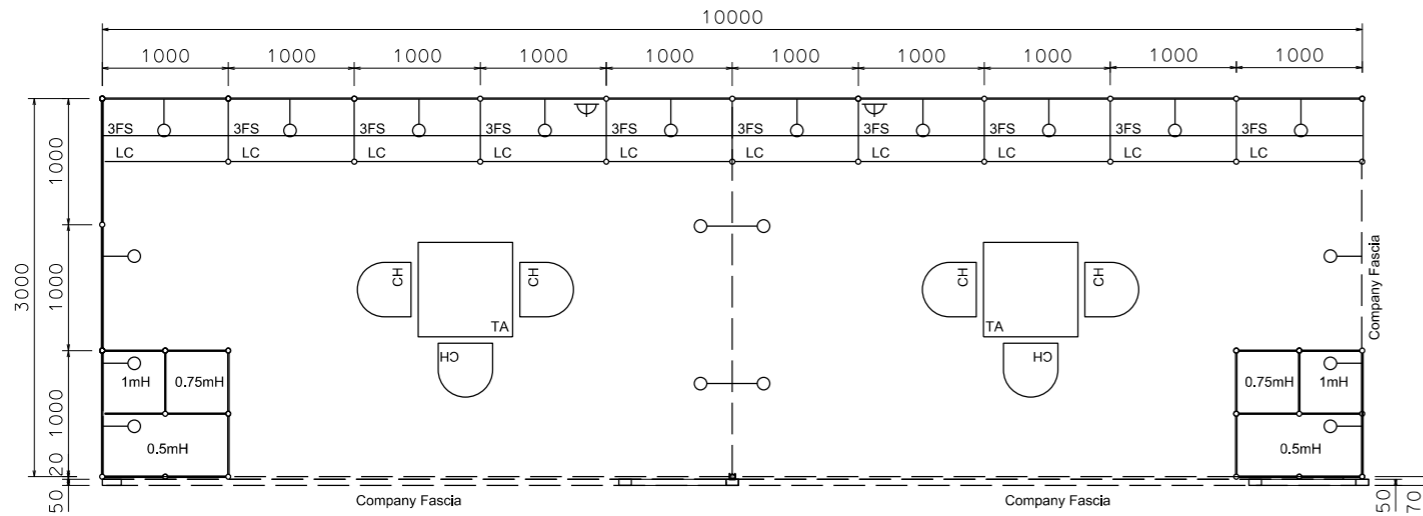
PROJECT  
PREMIUM BOOTH  
10m x 3m  
Left Corner  
DATE: XXXXXXXX

SHEET

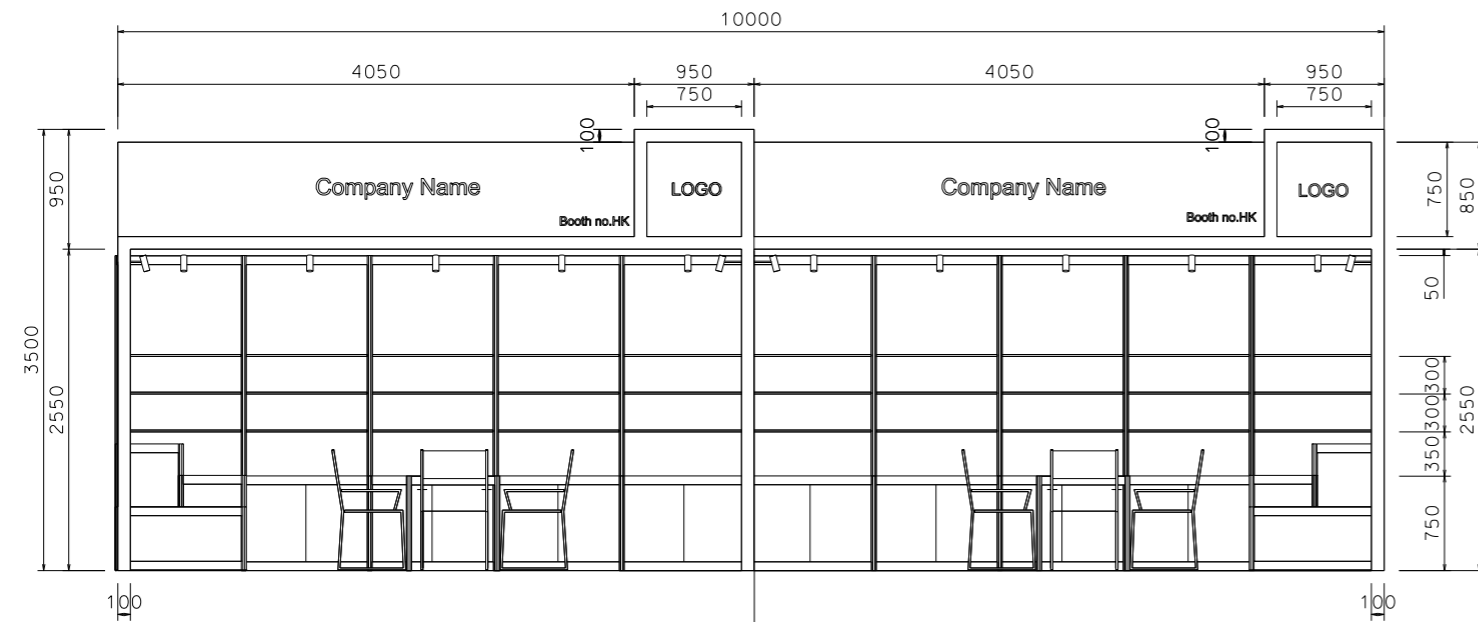
SD-B13A

# Premium Booth 10mW x 3mD Right Corner Booth

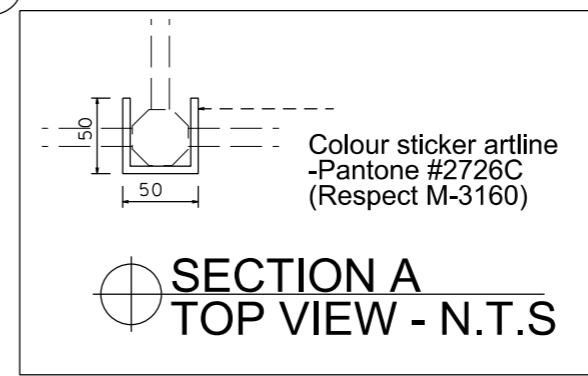
SD-B-30-RIGHT-CORNER  
10mW x 3mD x 3.5mH



PLAN



PERSPECTIVE N.T.S



BOOTH SPECIFICATION		QTY
	Lockable cabinet in purple-blue sticker lamination (1mL x 0.5mD x 0.75mH)	10
	Wooden shelf (flat) (1mL x 0.3mD)	30
	0.5mX 0.5mX 1mH display podium in blue sticker lamination	2
	0.5mX 0.5mX 0.75mH display podium in blue sticker lamination	2
	0.5mX 1mX 0.5mH display podium in blue sticker lamination	2
	Square meeting table (0.7m X0.7m x 0.75mH)	2
	Black leather chair	6
	Longarmed spotlight w/13 watt LED lamp (yellow)	20
	500w Square pin power socket	2
	Company logo	2

FILE PATH - I:\a-Booth drawing\Local Fair Premium Booth 2011\SD-Layouts\SD-B layout\SD-B-2d\layout.dgn



NOTES UNLESS OTHERWISE SPECIFIED ALL DIMENSIONS ARE IN MM.

.....

.....

.....

REVISION

.....

DATE: 31/10/2023

SCALE: 1 : 60 (A3)

DRAWN BY: ..

CHECKED BY: .....

TITLE

Premium Booth SD-B-30 Rcnr

PROJECT

PREMIUM BOOTH 10m x 3m Right Corner

DATE: XXXXXXXX

SHEET

SD-B130