

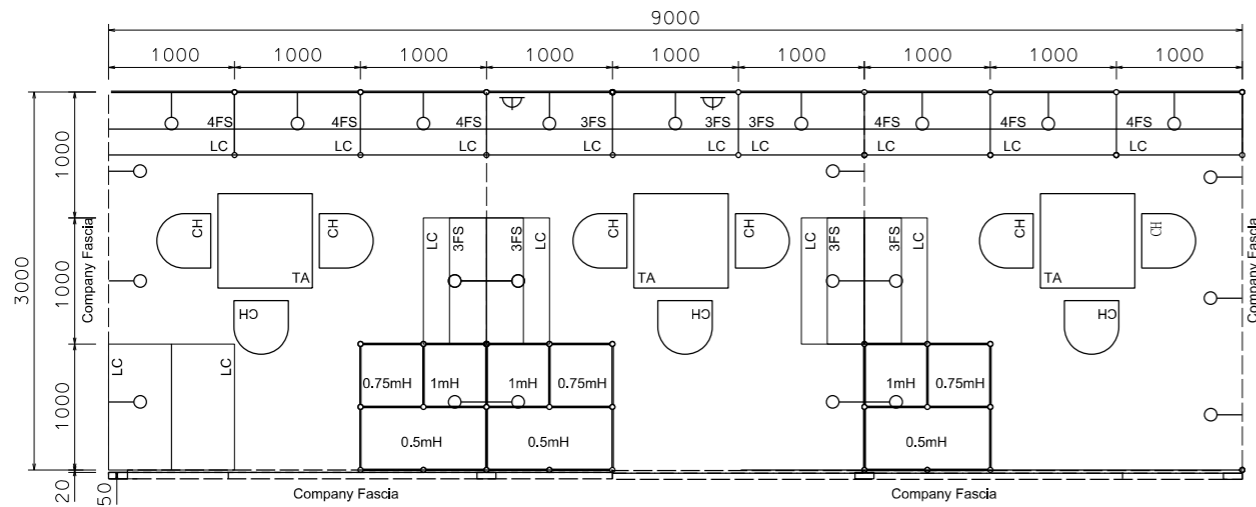
# Premium Booth 9mW x 3mD 3 SIDES OPEN

## SD-B-27\_ 9mW x 3mD x 3.5mH

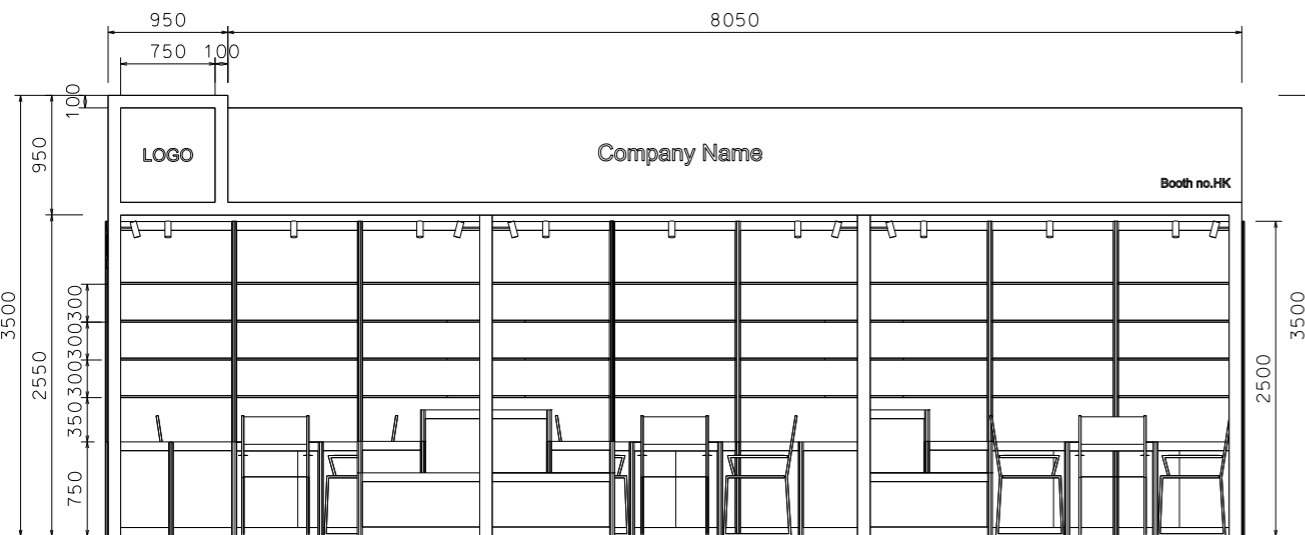
### IMPORTANT NOTICE

#### AMENDMENT OF BOOTH LIGHTING SPECIFICATIONS

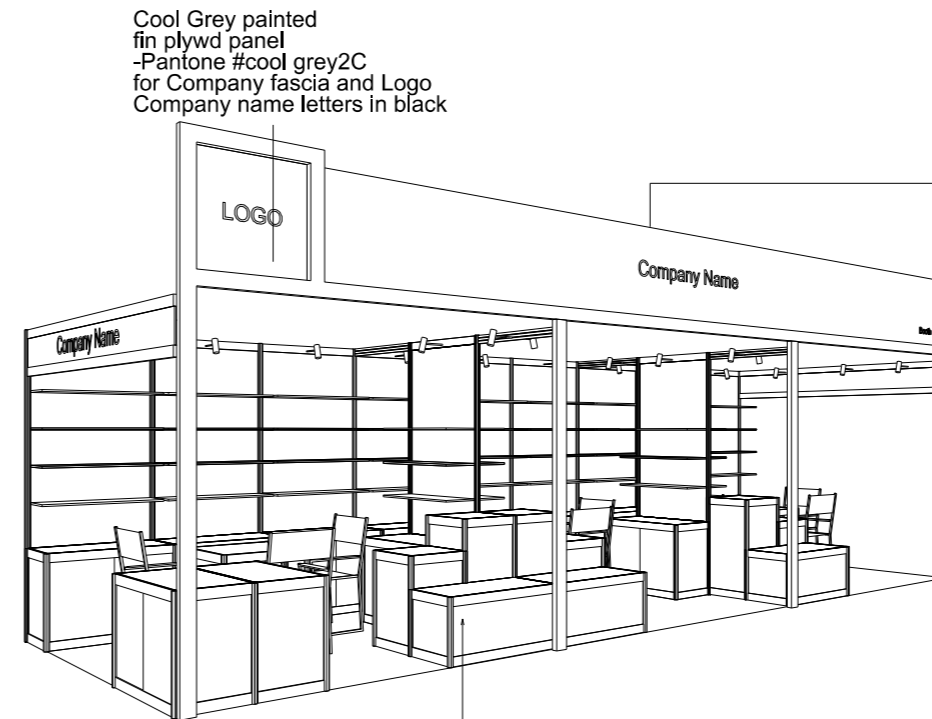
ALL LIGHTS SPECIFIED AS 23 WATT ENERGY SAVING LAMPS (BOTH SPOTLIGHT/LONGARMED) ON THIS DRAWING WILL BE CHANGED TO **13 WATT LED LAMPS**, WITH EFFECT ON THE 1<sup>st</sup> OF JANUARY 2019.



PLAN

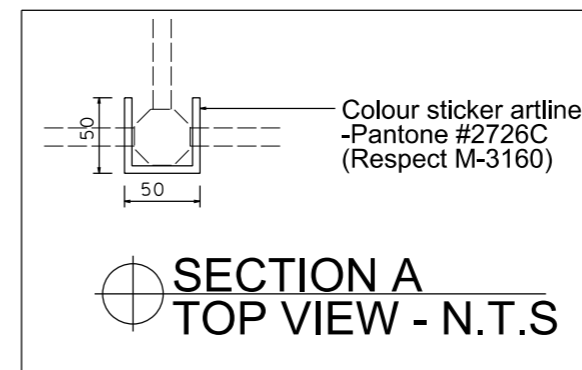


FRONT ELEVATION



PERSPECTIVE N.T.S

Display podium with colour sticker lamination (Respect M-3160)



SECTION A TOP VIEW - N.T.S

Fascia sticker background in purple-blue (Respect M-3160) company name letter in white colour sticker

20mm THK wooden framework in spray paint fin. Pantone #2726C

BOOTH SPECIFICATION		QTY
	Lockable cabinet in purple-blue sticker lamination (1mL x 0.5mD x 0.75mH)	15
	Wooden shelf (flat) (1mL x 0.3mD)	45
	0.5mX 0.5mX 1mH display podium in blue sticker lamination	3
	0.5mX 0.5mX 0.75mH display podium in blue sticker lamination	3
	0.5mX 1mX 0.5mH display podium in blue sticker lamination	3
	Square meeting table (0.7m X 0.7m x 0.75mH)	3
	Black leather chair	9
	Longarmed spotlight w/23 watt energy saving lamp (yellow)	24
	500w Square pin power socket	3
	Company logo	1

FILE PATH - L:\Local Fair Premium Booth 2011\SD-Layouts\SD-B layout\SD-B-2dLAYOUT.dgn



NOTES UNLESS OTHERWISE SPECIFIED ALL DIMENSIONS ARE IN MM.

.....  
.....  
.....

.....  
.....  
.....

REVISION  
04-09-2013  
21-08-2015

DATE: 21-08-2015  
SCALE: 1 : 60 (A3)  
DRAWN BY: ..  
CHECKED BY: .....

TITLE  
Premium Booth  
SD-B-27  
3 SIDES OPEN

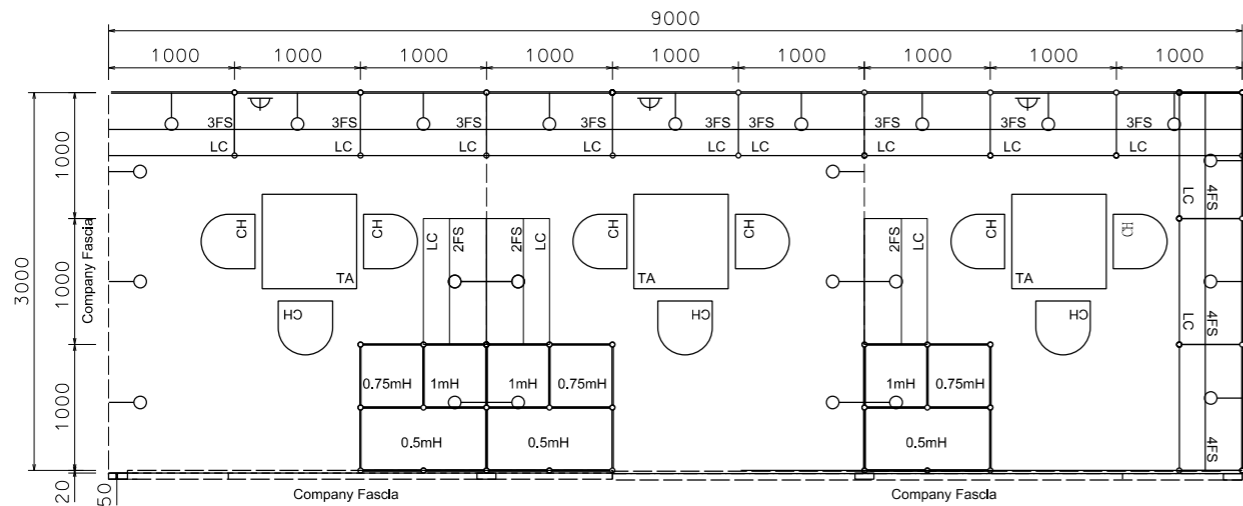
PROJECT  
PREMIUM BOOTH  
9m x 3m  
3 SIDES OPEN  
DATE: XXXXXXXX

SHEET

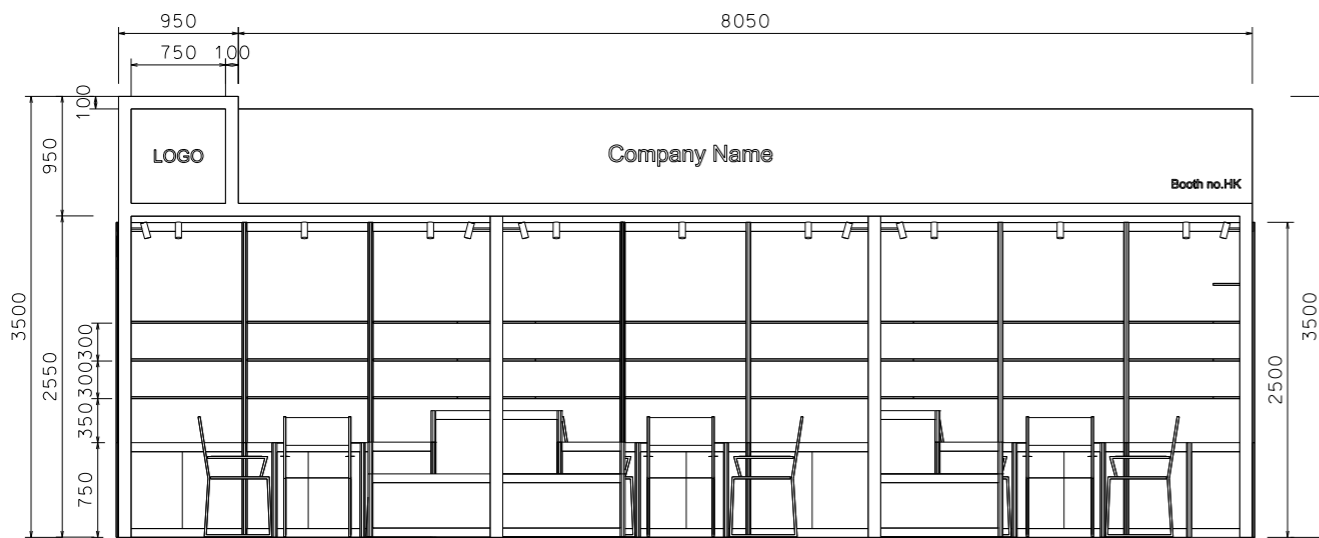
SD-B120

# Premium Booth 9mW x 3mD Left Corner Booth

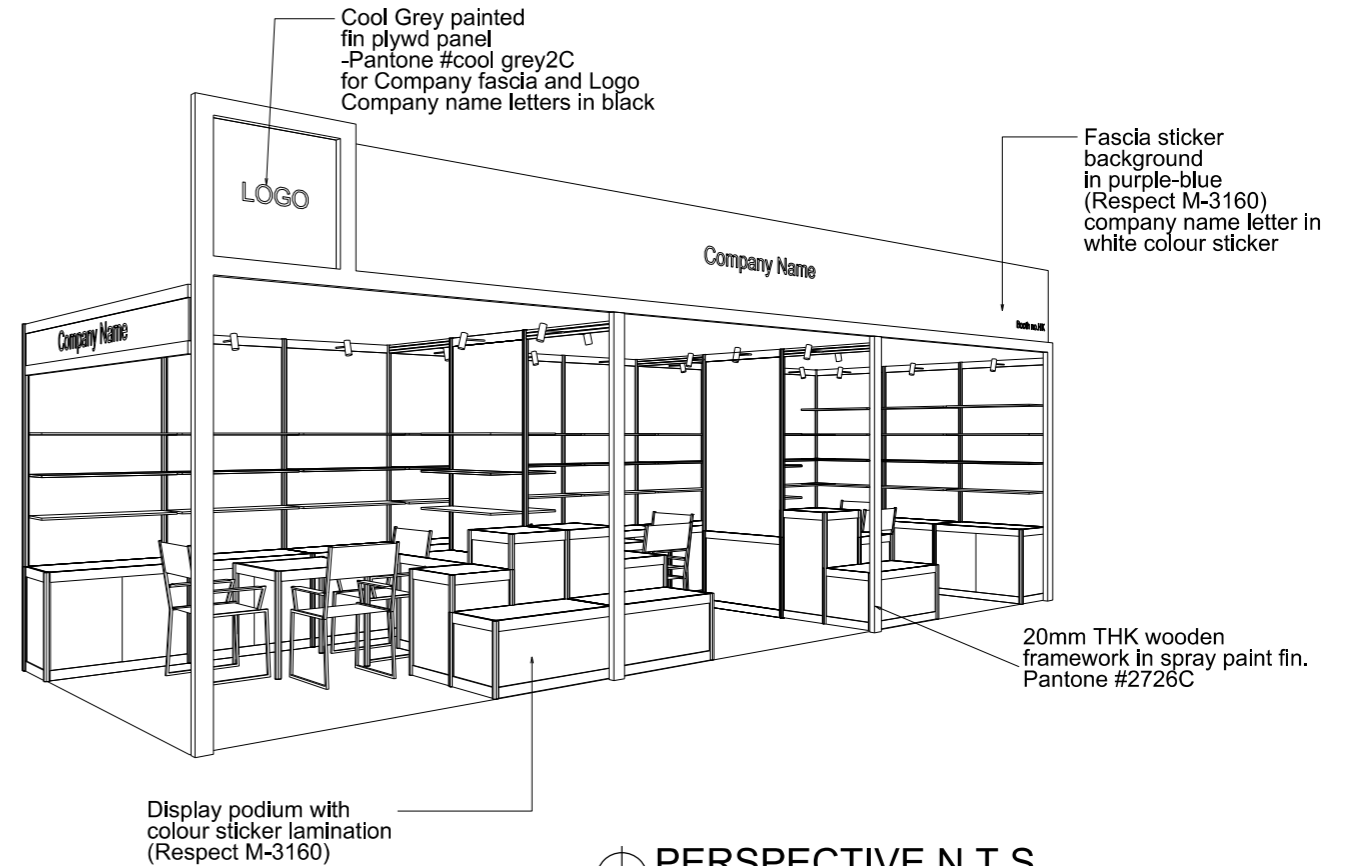
## SD-B-27\_ 9mW x 3mD x 3.5mH



PLAN



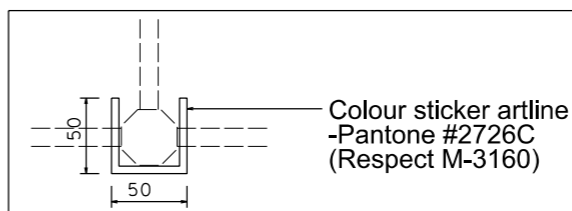
FRONT ELEVATION



PERSPECTIVE N.T.S

### IMPORTANT NOTICE AMENDMENT OF BOOTH LIGHTING SPECIFICATIONS

ALL LIGHTS SPECIFIED AS 23 WATT ENERGY SAVING LAMPS (BOTH SPOTLIGHT/LONGARMED) ON THIS DRAWING WILL BE CHANGED TO **13 WATT LED LAMPS**, WITH EFFECT ON THE 1<sup>ST</sup> OF JANUARY 2019.



SECTION A  
TOP VIEW - N.T.S

BOOTH SPECIFICATION		QTY
	Lockable cabinet in purple-blue sticker lamination (1mL x 0.5mD x 0.75mH)	14.5
	Wooden shelf (flat) (1mL x 0.3mD)	45
	0.5mX 0.5mX 1mH display podium in blue sticker lamination	3
	0.5mX 0.5mX 0.75mH display podium in blue sticker lamination	3
	0.5mX 1mX 0.5mH display podium in blue sticker lamination	3
	Square meeting table (0.7m X0.7m x 0.75mH)	3
	Black leather chair	9
	Longarmed spotlight w/23 watt energy saving lamp (yellow)	24
	500w Square pin power socket	3
	Company logo	1

FILE PATH - L:\Local Fair Premium Booth 2011\SD-Layouts\SD-B layout\SD-B-2dLAYOUT.dgn



NOTES UNLESS OTHERWISE SPECIFIED ALL DIMENSIONS ARE IN MM.

.....  
.....  
.....

.....  
.....  
.....

REVISION  
04-09-2013 .

DATE: 04-09-2013

SCALE: 1 : 60 (A3)

DRAWN BY: ..

CHECKED BY: .....

TITLE

Premium Booth  
SD-B-27  
LEFT CORNER

PROJECT

DATE: XXXXXXXX

SHEET

SD-B12A

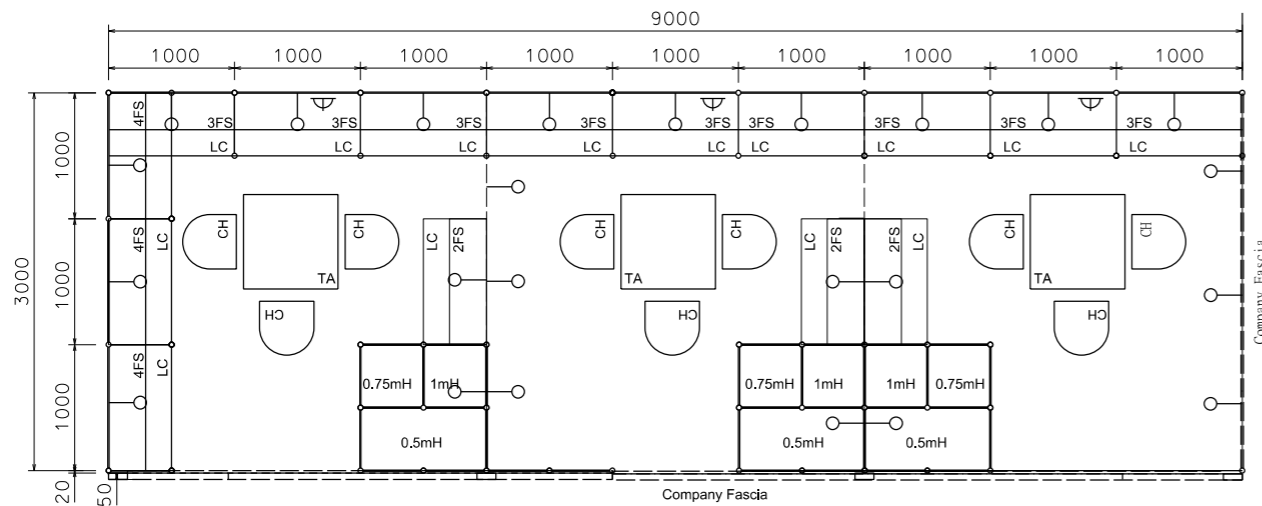
# Premium Booth 9mW x 3mD Right Corner Booth

## SD-B-27\_ 9mW x 3mD x 3.5mH

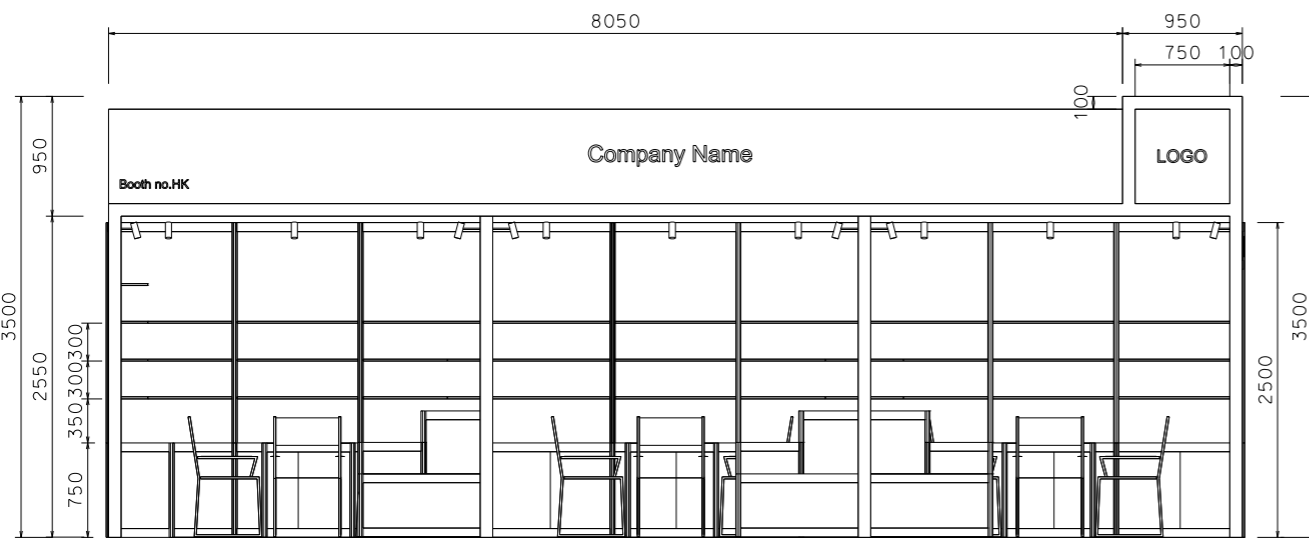
### IMPORTANT NOTICE

#### AMENDMENT OF BOOTH LIGHTING SPECIFICATIONS

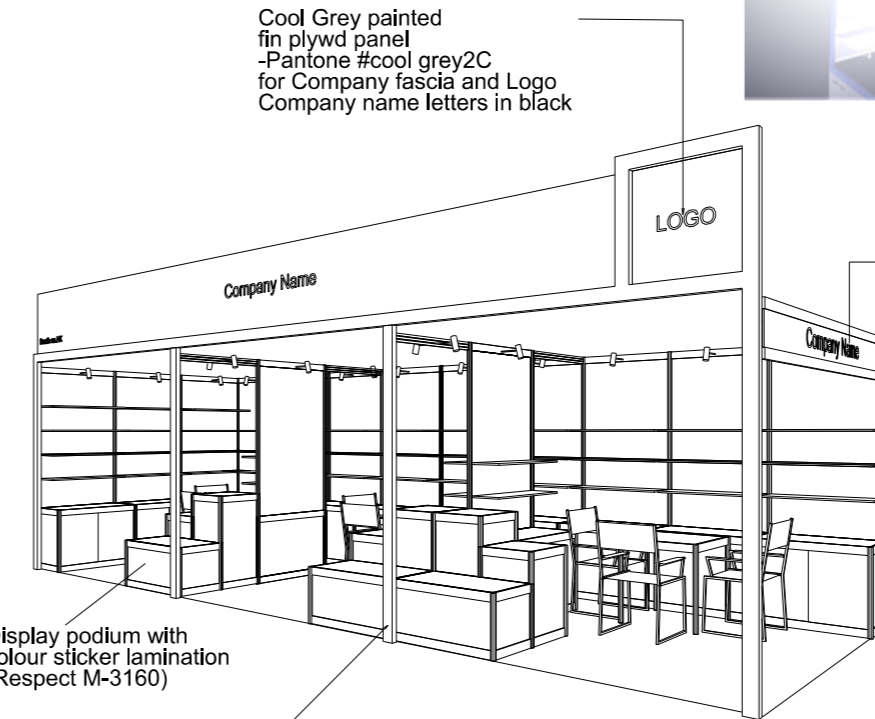
ALL LIGHTS SPECIFIED AS 23 WATT ENERGY SAVING LAMPS (BOTH SPOTLIGHT/LONGARMED) ON THIS DRAWING WILL BE CHANGED TO **13 WATT LED LAMPS**, WITH EFFECT ON THE 1<sup>ST</sup> OF JANUARY 2019.



PLAN



FRONT ELEVATION

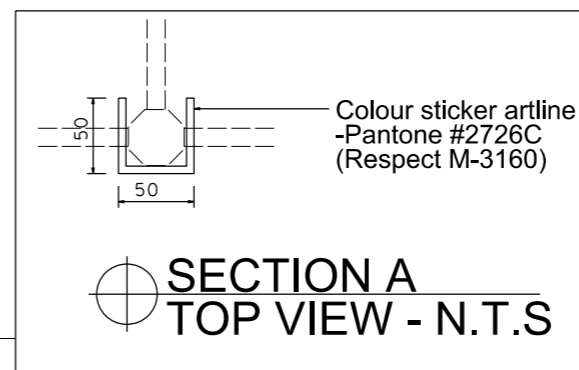


Fascia sticker background in purple-blue (Respect M-3160) company name letter in white colour sticker

PERSPECTIVE N.T.S

Display podium with colour sticker lamination (Respect M-3160)

20mm THK wooden framework in spray paint fin. Pantone #2726C



BOOTH SPECIFICATION		QTY
	Lockable cabinet in purple-blue sticker lamination (1mL x 0.5mD x 0.75mH)	14.5
	Wooden shelf (flat) (1mL x 0.3mD)	45
	0.5mX 0.5mX 1mH display podium in blue sticker lamination	3
	0.5mX 0.5mX 0.75mH display podium in blue sticker lamination	3
	0.5mX 1mX 0.5mH display podium in blue sticker lamination	3
	Square meeting table (0.7m X0.7m x 0.75mH)	3
	Black leather chair	9
	Longarmed spotlight w/23 watt energy saving lamp (yellow)	24
	500w Square pin power socket	3
	Company logo	1

FILE PATH - L:\Local Fair Premium Booth 2011\SD-Layouts\SD-B layout\SD-B-2dLayout.dgn



NOTES UNLESS OTHERWISE SPECIFIED ALL DIMENSIONS ARE IN MM.

.....  
.....  
.....

.....  
.....  
.....

REVISION  
21-08-2015

DATE: 21-08-2015  
SCALE: 1 : 60 (A3)  
DRAWN BY: ..  
CHECKED BY: .....

TITLE  
Premium Booth  
SD-B-27  
RIGHT CORNER

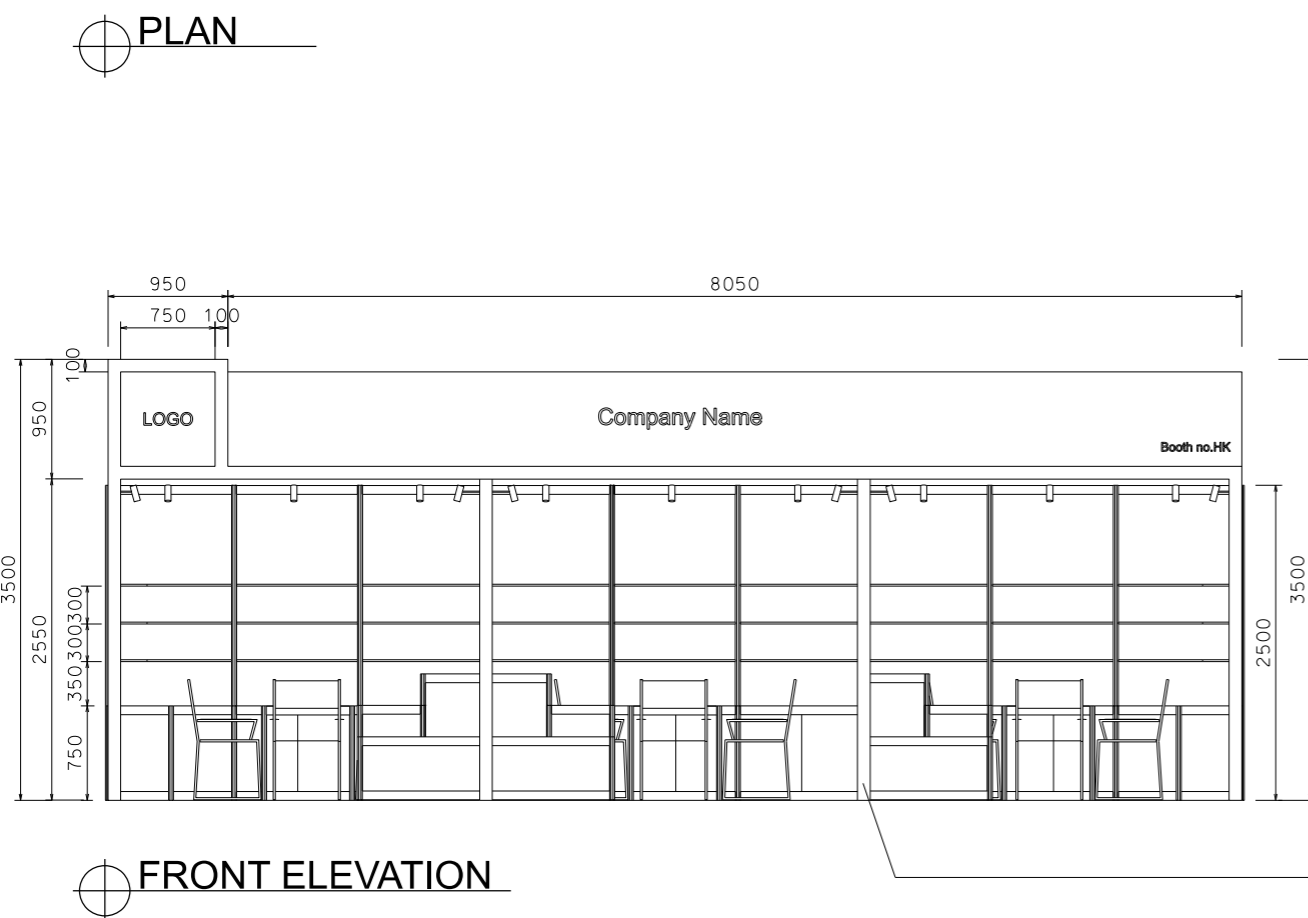
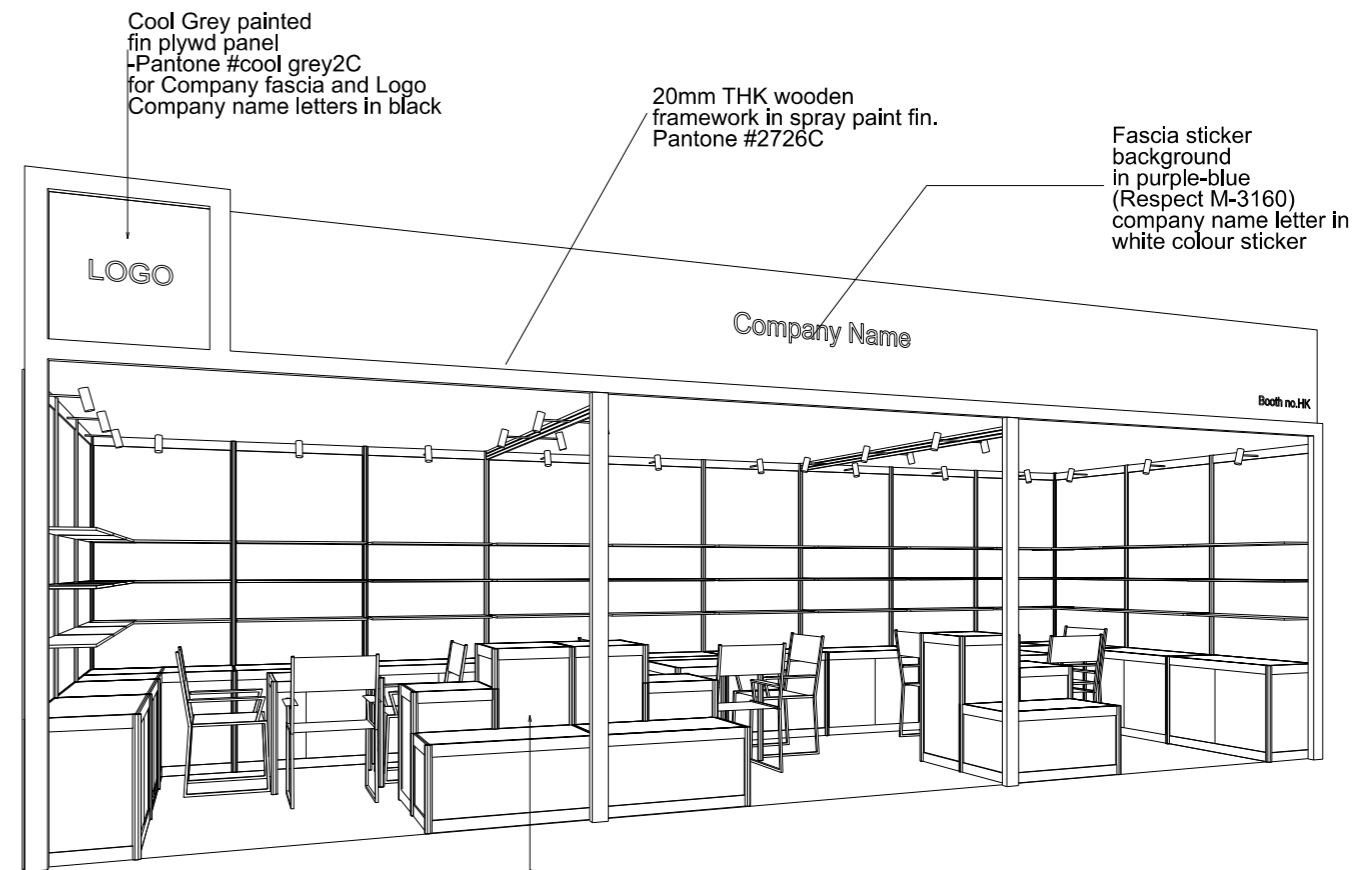
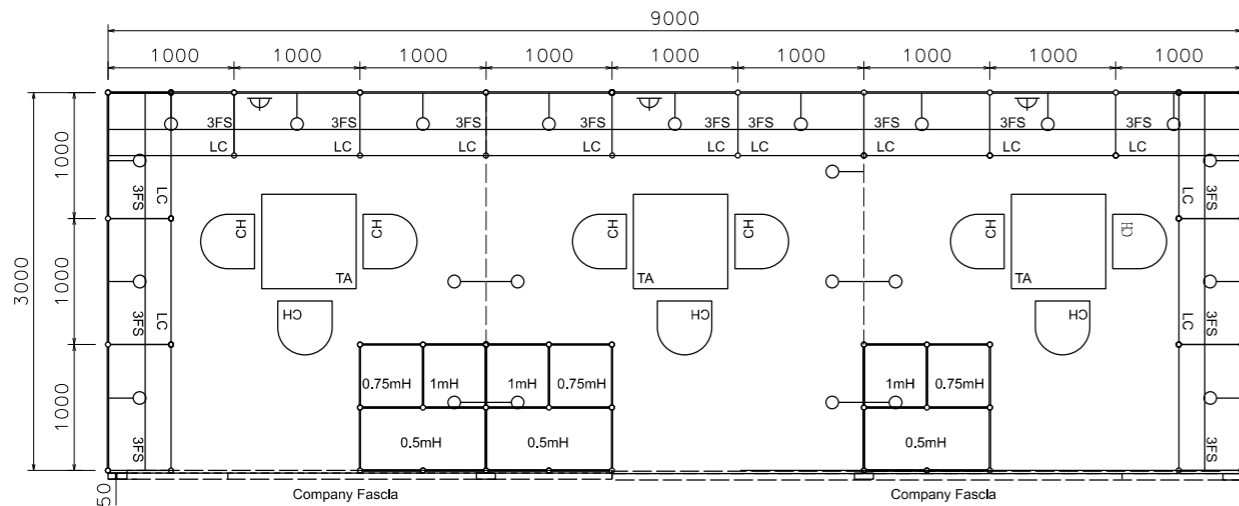
PROJECT  
DATE: XXXXXXXX

SHEET

SD-B12B

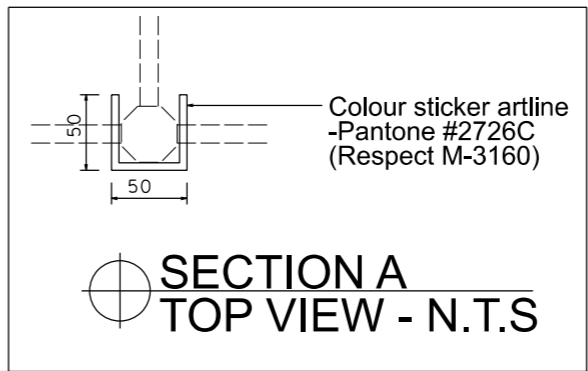
# Premium Booth 9mW x 3mD

## SD-B-27\_ 9mW x 3mD x 3.5mH



**IMPORTANT NOTICE**  
**AMENDMENT OF BOOTH LIGHTING SPECIFICATIONS**

ALL LIGHTS SPECIFIED AS 23 WATT ENERGY SAVING LAMPS (BOTH SPOTLIGHT/LONGARMED) ON THIS DRAWING WILL BE CHANGED TO **13 WATT LED LAMPS**, WITH EFFECT ON THE 1<sup>ST</sup> OF JANUARY 2019.



BOOTH SPECIFICATION		QTY
	Lockable cabinet in purple-blue sticker lamination (1mL x 0.5mD x 0.75mH)	15
	Wooden shelf (flat) (1mL x 0.3mD)	45
	0.5mX 0.5mX 1mH display podium in blue sticker lamination	3
	0.5mX 0.5mX 0.75mH display podium in blue sticker lamination	3
	0.5mX 1mX 0.5mH display podium in blue sticker lamination	3
	Square meeting table (0.7m X 0.7m x 0.75mH)	3
	Black leather chair	9
	Longarmed spotlight w/23 watt energy saving lamp (yellow)	24
	500w Square pin power socket	3
	Company logo	1

FILE PATH - L:\Local Fair Premium Booth 2011\SD-Layouts\SD-B layout\SD-B-2dLAYOUT.dgn

<p>香港貿發局</p>	<p><b>NOTES</b> UNLESS OTHERWISE SPECIFIED ALL DIMENSIONS ARE IN MM.</p> <p>.....</p> <p>.....</p> <p>.....</p>	<p>REVISION 26-07-2017 .</p>	<p>DATE: 26-07-2017</p>	<p>TITLE Premium Booth SD-B-27</p>	<p>PROJECT</p>	<p>SHEET SD-B120</p>
			<p>SCALE: 1 : 60 (A3)</p>			
			<p>DRAWN BY: ..</p>			
			<p>CHECKED BY: .....</p>			